

Dot laser, red, 650 nm, 40 mW

DH650-40-3(16x50)
Order Number: 70102260

Main Parameters (*)	min	typ	max	Unit
Wavelength		650		nm
Optical Output Power		40		mW
Operating Voltage	2.7	3	3.3	V DC
Operating Current	40	80	120	mA
Operating Temperature	-20		50	°C
Storage Temperature	-40		80	°C

Main Data

Warranty 1 years

Technical Parameters

Lifetime > 5,000 h
RoHS yes

Optical Parameters

Beam Shape Dot
Laser Class 3B
Divergence H - 1.0 mrad
Size of Laserdot adjustable
Operating Distance 100 m
Optics glass lens AR coated
Laser technology Single Mode Diode
Focus adjustable

Electrical Parameters

Potential of Housing isolated
Power Supply Power Supply with stripped/tinned wires, Output: 3.3V DC, Input: 100-240V AC, 50-60Hz, Output Power: 3.3W max.

Mechanical Parameters

Size Ø16x50 mm
Material aluminium
Cable length 100 mm
Wire type Belden, Typ 1007, 26AWG
Output Aperture 5 mm
Housing Color black
Weight 22.3 g
Stripping of wire 5 mm

(*) Over the complete operating temperature range

Features



- Operating Voltage 3V DC
- Compact size
- High Power
- Adjustable focus
- Laser Class 3B

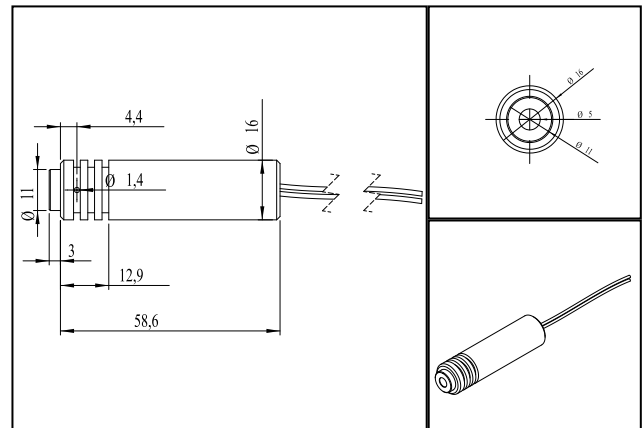
Picture



Cable color

Ground  black GND
Positive  red 2.7 - 3.3, typ 3 V DC

Drawing



Safety Label



Valid Revision

26 | 17-DEC-2018