

Dot laser, red, 650 nm, 35 mW

DH650-35-3(22x65)
Order Number: 70102253



Main Parameters (*)	min	typ	max	Unit
Wavelength		650		nm
Optical Output Power		35		mW
Operating Voltage	2.7	3	3.3	V DC
Operating Current	100	120	140	mA
Operating Temperature	-20		50	°C
Storage Temperature	-40		80	°C

Main Data

Warranty 1 years

Technical Parameters

Lifetime > 5,000 h
RoHS yes

Optical Parameters

Beam Shape Dot
Laser Class 3B
Divergence H - 1.0 mrad
Size of Laserdot adjustable
Operating Distance 60 m
Optics glass lens AR coated
Laser technology diode
Focus adjustable

Electrical Parameters

Potential of Housing isolated

Mechanical Parameters

Size Ø22x65 mm
Material aluminium
Cable length 100 mm
Wire type 26AWG, 0,14mm²
Output Aperture 5 mm
Housing Color black
Weight 54 g

(*) Over the complete operating temperature range

Features

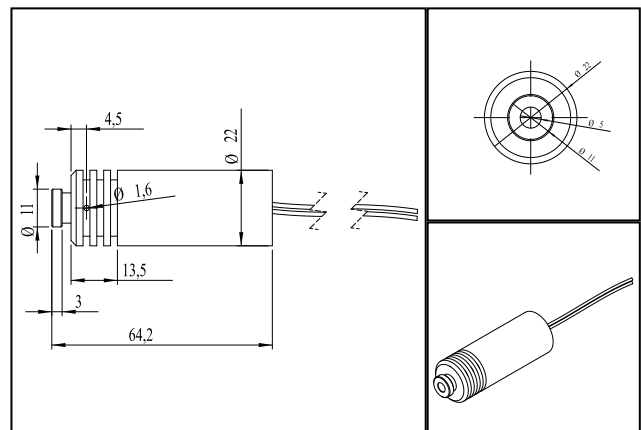
Picture



Cable color

Ground		black	GND
Positive		red	2.7 - 3.3, typ 3 V DC

Drawing



Safety Label



Valid Revision

4 | 17-DEC-2018