

## Dot laser, red, 650 nm, 1 mW

DGI650-1-5(7x14)-F35-C125  
Order Number: 70108880

Main Parameters (*)	min	typ	max	Unit
Wavelength		650		nm
Optical Output Power		1		mW
Operating Voltage	4.5	5	5.5	V DC
Operating Current	10	20	30	mA
Operating Temperature	-20		50	°C
Storage Temperature	-40		80	°C

### Main Data

Warranty 1 years

### Technical Parameters

Lifetime > 5,000 h  
RoHS yes

### Optical Parameters

Beam Shape	Dot
Laser Class	2
Divergence	G - 0.8 mrad
Beam Diameter	2.5 mm
Size of Laserdot	<0.7mm@0.035m
Operating Distance	0.035 m
Optics	acryl lense
Laser technology	diode
Focus	fixed (35mm)

### Electrical Parameters

Potential of Housing	isolated
Power Supply	Power Supply with stripped/tinned wires, Output: 5V DC, Input: 100-240V AC, 50-60Hz, Output Power: 3W max.

### Mechanical Parameters

Size	Ø7x14 mm
Material	aluminium
Cable length	125 mm
Wire type	26AWG, 0,14mm <sup>2</sup>
Output Aperture	2.5 mm
Housing Color	black
Weight	1.5 g
Stripping of wire	5 mm

(\*) Over the complete operating temperature range

## Features



- Isolated housing
- Compact size
- Fixed focus
- Laser Class 2
- Operating Voltage 5V DC

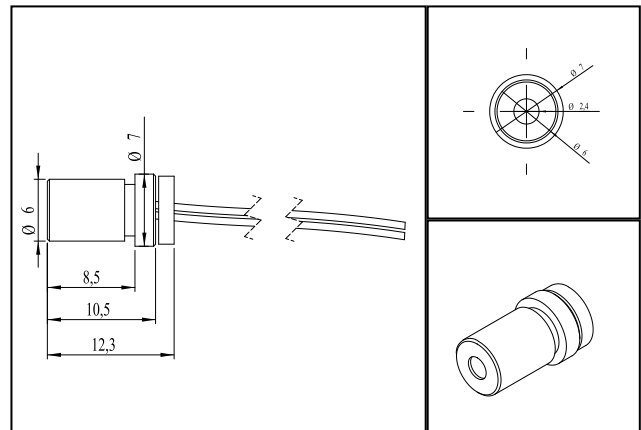
## Picture



## Cable color

Ground		green	GND
Positive		red	4.5 - 5.5, typ 5 V DC

## Drawing



## Safety Label



## Valid Revision

9 | 25-MAR-2022