

Dot laser, red, 650nm, 5mW

DG650-5-3(7x14)

Order Number: 70105865

Main Parameters (*)	min	typ	max	Unit
Wavelength		650		nm
Optical Output Power		5		mW
Operating Voltage	2.7	3	3.3	V DC
Operating Current	20	33	50	mA
Operating Temperature	-20		50	°C
Storage Temperature	-40		80	°C

Technical Parameters

Lifetime	>5000h
RoHS	yes

Optical Parameters

Beam Shape	Dot
Laser Class	3R
Divergence	G - 0.8mrad
Beam Diameter	2.5mm
Size of Laserdot	<4..6mm@5m
Operating Distance	10m
Optics	acryl lense
Laser technology	diode
Focus	collimated

Electrical Parameters

Potential of Housing	isolated
Power Supply	LFNT-3

Mechanical Parameters

Size	Ø7x14mm
Material	aluminium
Cable length	100mm
Wire type	26AWG, 0,14mm ²
Output Aperture	2.5mm
Housing Color	black
Weight	1.5g

(*) Over the complete operating temperature range

Features




- Operating Voltage 3V DC
- Laser Class 3R
- Compact size
- Small laser head
- Low power consumption

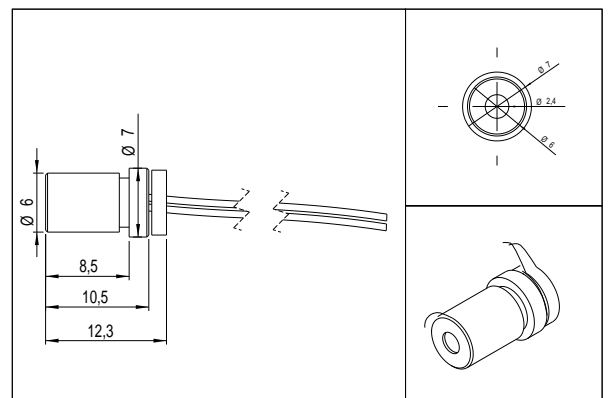
Picture



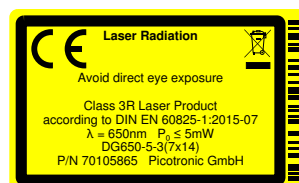
Cable Colors

Ground		green	GND
Positive		red	2.7 - 3.3, typ 3V DC

Drawing



Safety Label



Revision

REV 13 | 26-OCT-2018