

Dot laser, red, 650 nm, 5 mW

DG650-5-3(7x14)-ADJ
Order Number: 70124361

Main Parameters (*)	min	typ	max	Unit
Wavelength		650		nm
Optical Output Power		5		mW
Operating Voltage	2.7	3	3.3	V DC
Operating Current	20	40	60	mA
Operating Temperature	-20		50	°C
Storage Temperature	-40		80	°C

Main Data

Warranty 1 years

Technical Parameters

Lifetime > 5,000 h
RoHS yes

Optical Parameters

Beam Shape Dot
Laser Class 3R
Divergence G - 0.8 mrad
Beam Diameter 2.5 mm
Size of Laserdot adjustable
Operating Distance 10 m
Optics glass lens AR coated
Laser technology Single Mode Diode
Focus adjustable

Electrical Parameters

Potential of Housing isolated
Power Supply Power Supply with stripped/tinned wires, Output: 3.3V DC, Input: 100-240V AC, 50-60Hz, Output Power: 3.3W max.

Mechanical Parameters

Size Ø7x14 mm
Material aluminium
Cable length 100 mm
Output Aperture 2.5 mm
Housing Color black
Weight 1.5 g
Stripping of wire 5 mm

(*) Over the complete operating temperature range

Features



- Operating Voltage 3V DC
- Laser Class 3R
- Compact size
- Small laser head
- Low power consumption

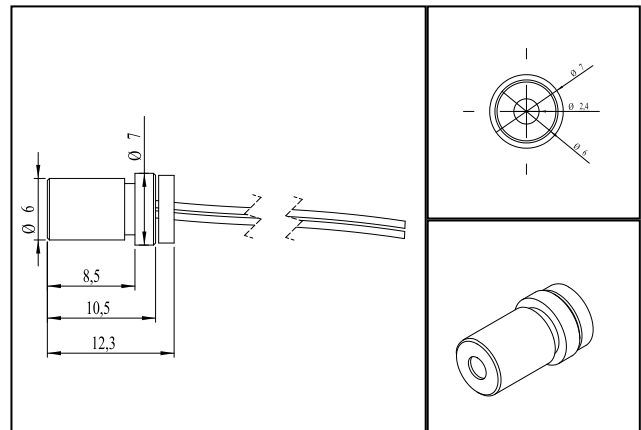
Picture



Cable color

Ground  green GND
Positive  red 2.7 - 3.3, typ 3 V DC

Drawing



Safety Label



Valid Revision

| 20-MAR-2023