

Dot laser, red, 650nm, 1mW

DG650-1-5(7x14)-F35

Order Number: 70107647

Main Parameters (*)	min	typ	max	Unit
Wavelength		650		nm
Optical Output Power		1		mW
Operating Voltage	4.5	5	5.5	V DC
Operating Current	10	20	30	mA
Operating Temperature	-20		50	°C
Storage Temperature	-40		80	°C

Technical Parameters

Lifetime	>5000h
RoHS	yes

Optical Parameters

Beam Shape	Dot
Laser Class	2
Divergence	G - 0.8mrad
Beam Diameter	2.5mm
Size of Laserdot	<0.3mm@0.035m
Operating Distance	0.035m
Optics	acryl lense
Laser technology	diode
Focus	fixed (35mm)

Electrical Parameters

Potential of Housing	VDD(+)
----------------------	--------

Mechanical Parameters

Size	Ø7x14mm
Material	Brass
Cable length	100mm
Wire type	26AWG, 0,14mm ²
Output Aperture	2.5mm
Housing Color	brass
Weight	1.5g
Stripping of wire	5mm

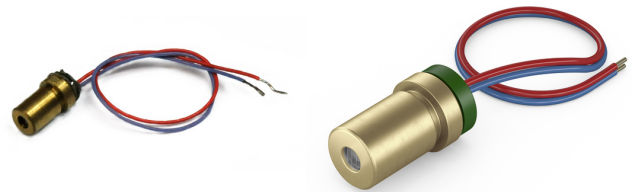
(*) Over the complete operating temperature range

Features





- Operating Voltage 5V DC
- Laser Class 2
- Fixed focus
- Compact size
- Low power consumption

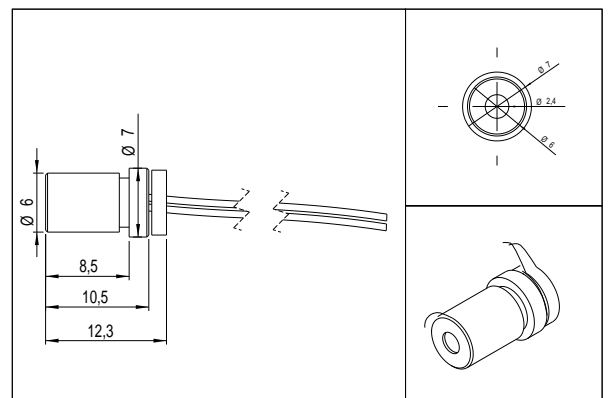
Picture



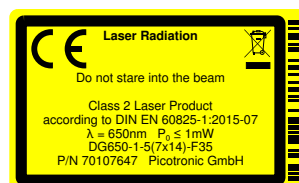
Cable Colors

Ground		green	GND
Positive		red	4.5 - 5.5, typ 5V DC

Drawing



Safety Label



Revision

REV 4 | 29-OCT-2018