

Dot laser, red, 650 nm, 1 mW

DG650-1-5(7x14)-F35-C125
Order Number: 70108637

Main Parameters (*)	min	typ	max	Unit
Wavelength		650		nm
Optical Output Power		1		mW
Operating Voltage	4.5	5	5.5	V DC
Operating Current	15	25	35	mA
Operating Temperature	-20		50	°C
Storage Temperature	-40		80	°C

Main Data

Warranty 1 years

Technical Parameters

Lifetime > 5,000 h
RoHS yes

Optical Parameters

Beam Shape Dot
Laser Class 2
Divergence G - 0.8 mrad
Beam Diameter 2.5 mm
Size of Laserdot <0.3mm@0.035m
Operating Distance 0.035 m
Optics acryl lense
Laser technology diode
Focus fixed (35mm)

Electrical Parameters

Potential of Housing VDD(+)

Mechanical Parameters

Size Ø7x14 mm
Material Brass
Cable length 125 mm
Output Aperture 2.5 mm
Weight 1.5 g

(*) Over the complete operating temperature range

Features



- Small package
- Narrow focus
- Low power consumption

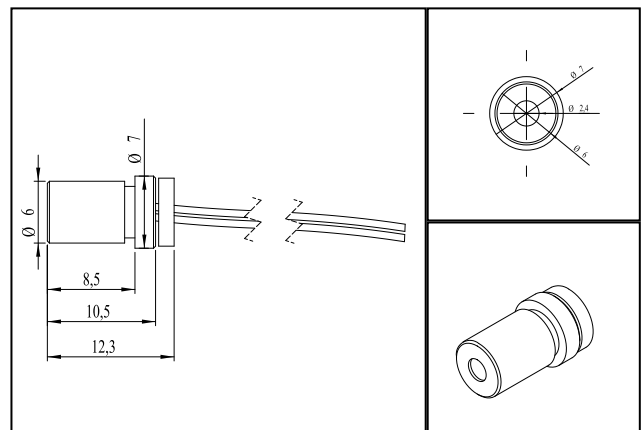
Picture



Cable color

Ground		blue	GND
Positive		red	4.5 - 5.5, typ 5 V DC

Drawing



Safety Label



Valid Revision

3 | 25-MAR-2022