

## Dot laser, red, 650nm, 1mW

DG650-1-3(7x14)

Order Number: 70103069

Main Parameters (*)	min	typ	max	Unit
Wavelength		650		nm
Optical Output Power		1		mW
Operating Voltage	2.7	3	3.3	V DC
Operating Current	10	20	30	mA
Operating Temperature	-20		50	°C
Storage Temperature	-40		80	°C

### Technical Parameters

Lifetime	>5000h
RoHS	yes

### Optical Parameters

Beam Shape	Dot
Laser Class	2
Divergence	G - 0.8mrad
Beam Diameter	2.5mm
Size of Laserdot	<4..6mm@5m
Operating Distance	10m
Optics	acryl lense
Laser technology	diode
Focus	collimated

### Electrical Parameters

Potential of Housing	VDD(+)
Power Supply	LFNT-3

### Mechanical Parameters

Size	Ø7x14mm
Material	Brass
Cable length	100mm
Wire type	26AWG, 0,14mm <sup>2</sup>
Output Aperture	2.5mm
Housing Color	brass
Weight	1.5g
Stripping of wire	5mm

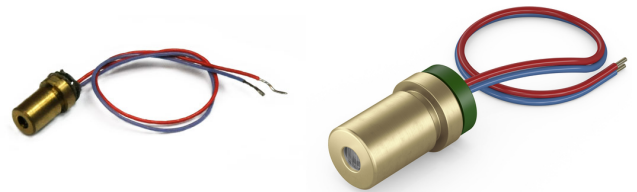
(\*) Over the complete operating temperature range

### Features





- Operating Voltage 3V DC
- Laser Class 2
- Compact size
- Fixed focus
- Low power consumption

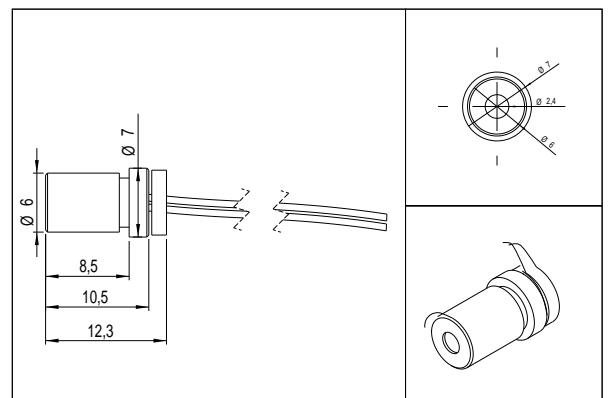
### Picture



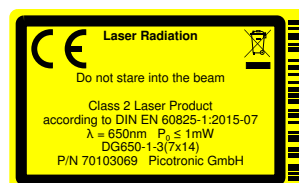
### Cable Colors

Ground		blue	GND
Positive		red	2.7 - 3.3, typ 3V DC

### Drawing



### Safety Label



### Revision

REV 10 | 26-OCT-2018