

Dot laser, red, 650 nm, 1 mW

DG650-1-3(7x14)-ADJ
Order Number: 70116007

Main Parameters (*)	min	typ	max	Unit
Wavelength		650		nm
Optical Output Power		1		mW
Operating Voltage	2.7	3	3.3	V DC
Operating Current	10	20	30	mA
Operating Temperature	-20		50	°C
Storage Temperature	-40		80	°C

Main Data

Warranty 1 years

Technical Parameters

Lifetime > 5,000 h
RoHS yes

Optical Parameters

Beam Shape	Dot
Laser Class	2
Divergence	G - 0.8 mrad
Size of Laserdot	adjustable
Operating Distance	10 m
Optics	acryl lense
Laser technology	diode
Focus	adjustable

Electrical Parameters

Potential of Housing	VDD(+)
Power Supply	Power Supply with stripped/tinned wires, Output: 3.3V DC, Input: 100-240V AC, 50-60Hz, Output Power: 3.3W max.

Mechanical Parameters

Size	Ø7x14 mm
Material	Brass
Cable length	100 mm
Wire type	26AWG, 0,14mm ²
Output Aperture	2.5 mm
Housing Color	brass
Weight	1.5g
Stripping of wire	5 mm

(*) Over the complete operating temperature range

Features



- Operating Voltage 3V DC
- Laser Class 2
- Compact size
- Adjustable focus
- Low cost

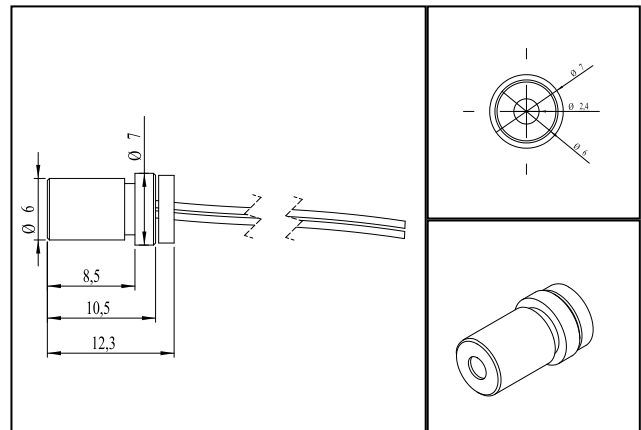
Picture



Cable color

Ground		blue	GND
Positive		red	2.7 - 3.3, typ 3 V DC

Drawing



Safety Label



Valid Revision

6 | 06-SEP-2023