

Dot laser, green, 520 nm, 12 mW

DG520-12-24(12x40)
Order Number: 70121018

Main Parameters (*)	min	typ	max	Unit
Wavelength	510	520	530	nm
Optical Output Power		12		mW
Operating Voltage	12	24	24	V DC
Operating Current	30	50	100	mA
Operating Temperature	-10		60	°C
Storage Temperature	-40		80	°C

Main Data

Warranty 1 years

Technical Parameters

Lifetime >6,000h
RoHS yes

Optical Parameters

Beam Shape	Dot
Laser Class	3B
Divergence	G - 0.8 mrad
Size of Laserdot	<8mm@10m
Operating Distance	100 m
Optics	glass lens AR coated
Laser technology	diode
Stability	+/- 3% @ -10-50°C
Focus	collimated
internal modulation frequency	1 kHz

Electrical Parameters

Potential of Housing isolated

Mechanical Parameters

Size	Ø12x40 mm
Material	aluminium
Cable length	100 mm
Output Aperture	3 mm
Housing Color	black
Weight	16 g

(*) Over the complete operating temperature range

Features





- Operating Voltage 24 V DC
- Compact size
- Laser Class 3B
- High Power
- Fixed focus

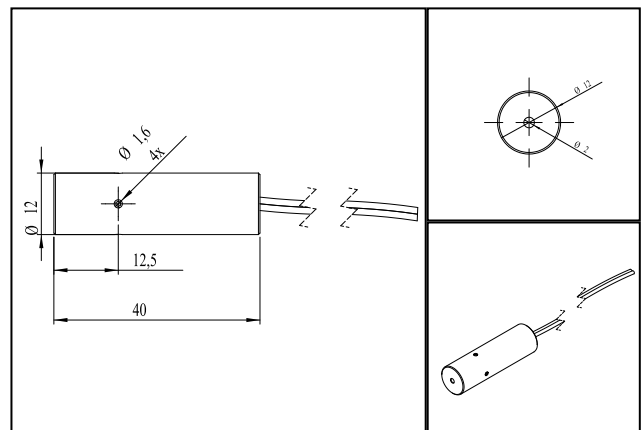
Picture



Cable color

Ground		blue	GND
Positive		red	12 - 24, typ 24 V DC

Drawing



Safety Label



Valid Revision

| 08-JAN-2018