

Dot laser, green, 520 nm, 10 mW

DF520-10-24(12x40)
Order Number: 70121001

Main Parameters (*)	min	typ	max	Unit
Wavelength	510	520	530	nm
Optical Output Power		10		mW
Operating Voltage	12	24	24	V DC
Operating Current	50	100	150	mA
Operating Temperature	-10		60	°C
Storage Temperature	-40		80	°C

Main Data

Warranty 1 years

Technical Parameters

Lifetime >6,000h
RoHS yes

Optical Parameters

Beam Shape Dot
Laser Class 3B
Divergence F - 0.7 mrad
Size of Laserdot <8mm@10m
Operating Distance 100 m
Optics glass lens AR coated
Laser technology diode
Stability +/- 3% @ -10-50°C
Focus collimated
internal modulation frequency 1 kHz

Electrical Parameters

Potential of Housing VDD(+)

Mechanical Parameters

Size Ø12x40 mm
Material aluminium
Cable length 100 mm
Wire type 26AWG, 0,14mm²
Output Aperture 3 mm
Housing Color black
Weight 3.5g

(*) Over the complete operating temperature range

Features



- Operating Voltage 24 V DC
- Compact size
- Laser Class 3B
- High Power
- Fixed focus

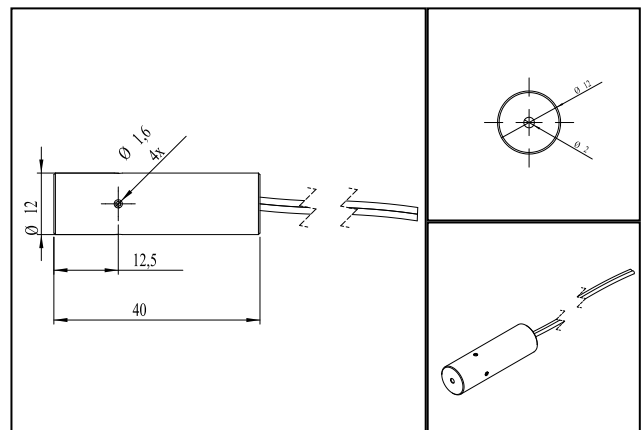
Picture



Cable color

Ground  blue GND
Positive  red 12 - 24, typ 24 V DC

Drawing



Safety Label



Valid Revision

| 08-JAN-2018