

Dot laser, red, 650 nm, 40 mW

DE650-40-3(16x50)
Order Number: 70115680

Main Parameters (*)	min	typ	max	Unit
Wavelength		650		nm
Optical Output Power		40		mW
Operating Voltage	2.7	3	3.3	V DC
Operating Current	40	80	120	mA
Operating Temperature	-20		50	°C
Storage Temperature	-40		80	°C

Main Data

Warranty 1 years

Technical Parameters

Lifetime > 5,000 h
RoHS yes

Optical Parameters

Beam Shape Dot
Laser Class 3B
Divergence E - 0.6 mrad
Size of Laserdot <4.5x15mm@20m
Operating Distance 20 m
Optics glass lens AR coated
Laser technology diode
Focus collimated

Electrical Parameters

Potential of Housing isolated

Mechanical Parameters

Size Ø16x50 mm
Material aluminium
Cable length 100 mm
Wire type 26AWG, 0,14mm²
Output Aperture 5 mm
Weight 22.3 g

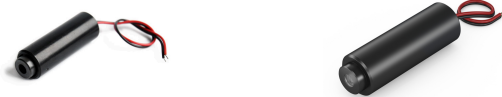
(*) Over the complete operating temperature range

Features



- Operating Voltage 3V DC
- Compact size
- High Power
- Adjustable focus
- Laser Class 3B

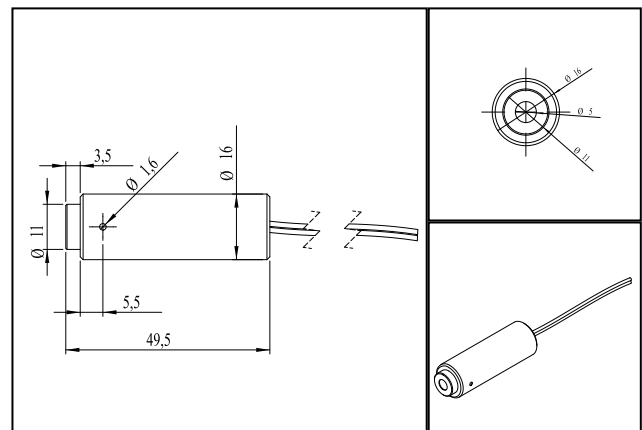
Picture



Cable color

Ground		black	GND
Positive		red	2.7 - 3.3, typ 3 V DC

Drawing



Safety Label



Valid Revision

26 | 09-JAN-2018