

Dot laser, blue, 405 nm, 12 mW

DE405-12-6(22x65)
Order Number: 70107852

Main Parameters (*)	min	typ	max	Unit
Wavelength		405		nm
Optical Output Power		12		mW
Operating Voltage	5.4	6	6.6	V DC
Operating Current	25	50	75	mA
Operating Temperature	-10		40	°C
Storage Temperature	-40		80	°C

Main Data

Warranty 1 years

Technical Parameters

Lifetime > 10,000 h
RoHS yes

Optical Parameters

Beam Shape Dot
Laser Class 3B
Divergence E - 0.6 mrad
Size of Laserdot adjustable
Operating Distance 25 m
Optics glass lens AR coated
Laser technology Single Mode Diode
Focus adjustable

Electrical Parameters

Potential of Housing isolated
Power Supply Power Supply 6V DC with 2.1x.5.5mm Connector

Mechanical Parameters

Size Ø22x65 mm
Material aluminium
Cable length 100 mm
Wire type Belden, Typ 1007, 26AWG
Output Aperture 5 mm
Housing Color black
Weight 40 g
Stripping of wire 5 mm

(*) Over the complete operating temperature range

Features



- Operating Voltage 6V DC
- Laser Class 3B
- Adjustable focus
- Glas lenses anti reflex coated
- Low power consumption

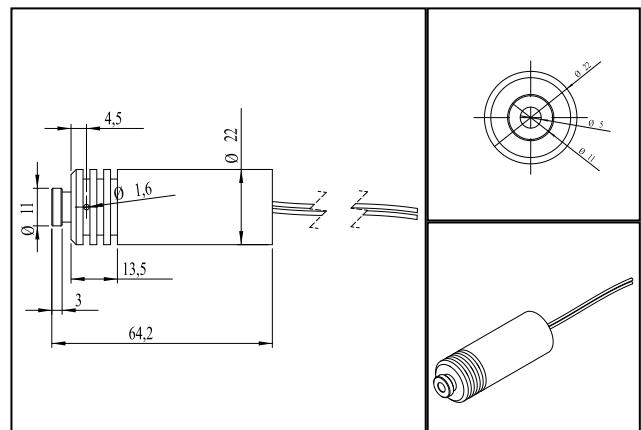
Picture



Cable color

Ground		black	GND
Positive		red	5.4 - 6.6, typ 6 V DC

Drawing



Safety Label



Valid Revision

4 | 10-FEB-2020