

Dot laser, red, 650 nm, 3 mW

DDI650-3-5(14x30)
Order Number: 70115376

Main Parameters (*)	min	typ	max	Unit
Wavelength		650		nm
Optical Output Power		3		mW
Operating Voltage	4.5	5	5.5	V DC
Operating Current	20	40	60	mA
Operating Temperature	-20		50	°C
Storage Temperature	-40		80	°C

Main Data

Warranty 1 years

Technical Parameters

Lifetime > 5,000 h
RoHS yes

Optical Parameters

Beam Shape Dot
Laser Class 3R
Divergence D - 0.5 mrad
Beam Diameter 3 mm
Operating Distance 1 m
Optics glass lens AR coated
Laser technology diode
Focus fixed

Electrical Parameters

Potential of Housing isolated
Power Supply Power Supply with stripped/tinned wires, Output: 5V DC, Input: 100-240V AC, 50-60Hz, Output Power: 3W max.

Mechanical Parameters

Size Ø14x30 mm
Material aluminium
Cable length 100 mm
Wire type 26AWG, 0,14mm²
Output Aperture 3 mm
Weight 11.3 g

(*) Over the complete operating temperature range

Features



- Operating Voltage 5V DC
- Laser Class 3R
- Image processing
- Glas lenses anti reflex coated
- Uniform illumination

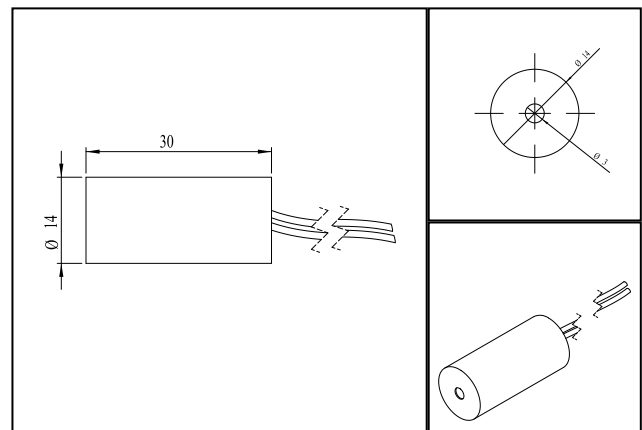
Picture



Cable color

Ground		black	GND
Positive		red	4.5 - 5.5, typ 5 V DC

Drawing



Safety Label



Valid Revision

1