

Dot laser, red, 650nm, 2.5mW

DDI650-2.5-5(12x25)

Order Number: 70102833

Main Parameters (*)	min	typ	max	Unit
Wavelength		650		nm
Optical Output Power		2.5		mW
Operating Voltage	4.5	5	5.5	V DC
Operating Current	15	25	40	mA
Operating Temperature	-20		50	°C
Storage Temperature	-40		80	°C

Technical Parameters

Lifetime	>5000h
RoHS	yes

Optical Parameters

Beam Shape	Dot
Laser Class	3R
Divergence	D - 0.5mrad
Beam Diameter	5mm
Size of Laserdot	<2..3mm@5m
Operating Distance	50m
Optics	glass lens AR coated
Laser technology	diode
Focus	collimated

Electrical Parameters

Potential of Housing	isolated
Power Supply	LFNT-5

Mechanical Parameters

Size	Ø12x25mm
Material	aluminium
Cable length	100mm
Wire type	26AWG, 0,14mm ²
Output Aperture	5mm
Weight	7g

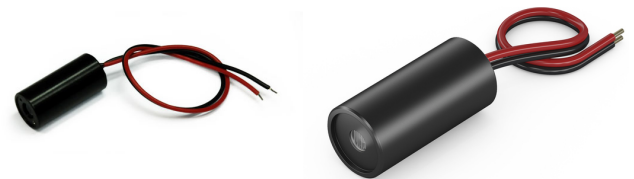
(*) Over the complete operating temperature range

Features



- Operating Voltage 5V DC
- Isolated housing
- Laser Class 3R
- Fixed focus
- Compact size

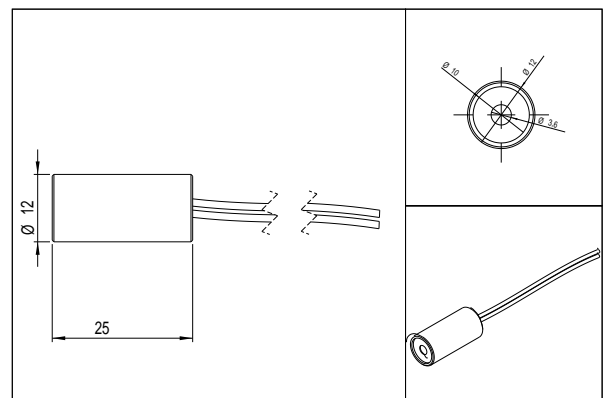
Picture



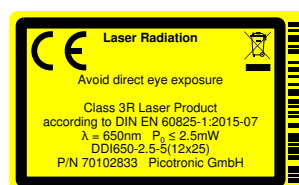
Cable Colors

Ground		black	GND
Positive		red	4.5 - 5.5, typ 5V DC

Drawing



Safety Label



Revision

REV 13 | 29-OCT-2018