

Dot laser, red, 635 nm, 5 mW

DDI635-5-5(12x25)
Order Number: 70109221

Main Parameters (*)	min	typ	max	Unit
Wavelength		635		nm
Optical Output Power		5		mW
Operating Voltage	4.5	5	5.5	V DC
Operating Current	30	60	90	mA
Operating Temperature	-20		50	°C
Storage Temperature	-40		80	°C

Main Data

Warranty 1 years

Technical Parameters

Lifetime	> 5,000 h
RoHS	yes

Optical Parameters

Beam Shape	Dot
Laser Class	3R
Divergence	D - 0.5 mrad
Beam Diameter	5 mm
Size of Laserdot	<4mm@5m
Operating Distance	50 m
Optics	glass lens AR coated
Laser technology	diode
Focus	collimated

Electrical Parameters

Potential of Housing	isolated
Power Supply	Power Supply with stripped/tinned wires, Output: 5V DC, Input: 100-240V AC, 50-60Hz, Output Power: 3W max.

Mechanical Parameters

Size	Ø12x25 mm
Material	aluminium
Cable length	100 mm
Wire type	26AWG, 0,14mm ²
Output Aperture	5 mm
Weight	7 g

(*) Over the complete operating temperature range

Features



- Operating Voltage 5V DC
- Laser Class 3R
- Glas lenses anti reflex coated
- Fixed focus
- Compact size

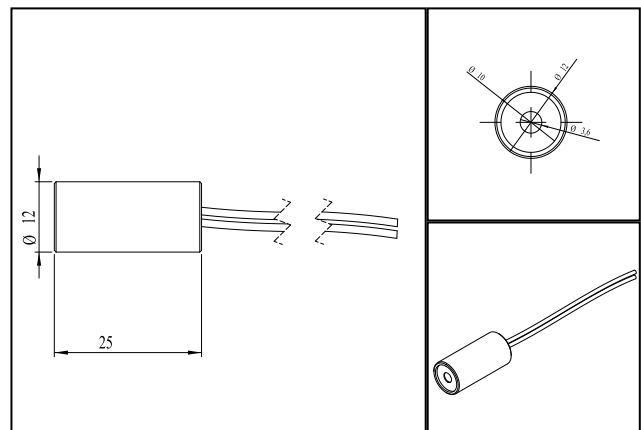
Picture



Cable color

Ground		black	GND
Positive		red	4.5 - 5.5, typ 5 V DC

Drawing



Safety Label



Valid Revision

1 | 25-MAR-2019