

## Dot laser, red, 635 nm, 3 mW

DDI635-3-24(12x45)-C500  
Order Number: 70110159

Main Parameters (*)	min	typ	max	Unit
Wavelength		635		nm
Optical Output Power		3		mW
Operating Voltage	21.6	24	26.4	V DC
Operating Current	10	20	30	mA
Operating Temperature	-20		50	°C
Storage Temperature	-40		80	°C

### Main Data

Warranty 1 years

### Technical Parameters

Lifetime > 5,000 h  
RoHS yes

### Optical Parameters

Beam Shape Dot  
Laser Class 3R  
Divergence D - 0.5 mrad  
Size of Laserdot adjustable  
Operating Distance 50 m  
Optics glass lens AR coated  
Laser technology diode  
Focus adjustable

### Electrical Parameters

Potential of Housing isolated

### Mechanical Parameters

Size Ø12x45 mm  
Material aluminium  
Cable length 500 mm  
Wire type 26AWG, 0,14mm<sup>2</sup>  
Output Aperture 5 mm  
Weight 15 g

(\*) Over the complete operating temperature range

### Features





- Glas lenses anti reflex coated
- Isolated housing
- Laser Class 3R
- Operating Voltage 24 V DC
- Compact size

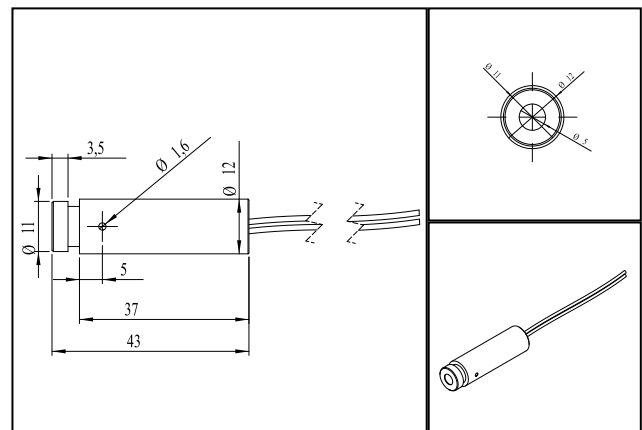
### Picture



### Cable color

Ground		black	GND
Positive		red	21.6 - 26.4, typ 24 V DC

### Drawing



### Safety Label



### Valid Revision

1 | 08-MAR-2018