

Dot laser, red, 635 nm, 1 mW

DDI635-1-24(12x45)-C500-NT
Order Number: 70115062

Main Parameters (*)	min	typ	max	Unit
Wavelength		635		nm
Optical Output Power		1		mW
Operating Voltage	21.6	24	26.4	V DC
Operating Current	10	15	25	mA
Operating Temperature	-20		50	°C
Storage Temperature	-40		80	°C

Main Data

Warranty 1 years

Technical Parameters

Lifetime > 5,000 h
RoHS yes

Optical Parameters

Beam Shape Dot
Laser Class 2
Divergence D - 0.5 mrad
Size of Laserdot adjustable
Operating Distance 10 m
Optics glass lens AR coated
Laser technology diode
Focus adjustable

Electrical Parameters

Potential of Housing isolated
Connector 2.1 mm DC socket (+pole inner)

Mechanical Parameters

Size Ø12x45 mm
Material aluminium
Cable length 500 mm
Wire type 26AWG, 0,14mm²
Output Aperture 5 mm
Weight 15 g

(*) Over the complete operating temperature range

Features





- Glas lenses anti reflex coated
- Isolated housing
- Laser Class 2
- Operating Voltage 24 V DC
- Small package

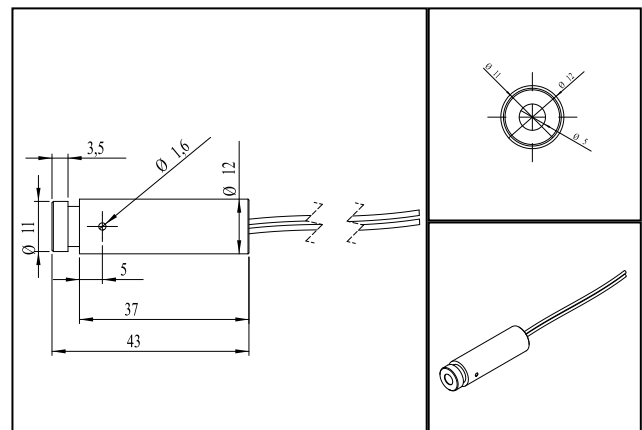
Picture



Cable color

Ground		black	GND
Positive		red	21.6 - 26.4, typ 24 V DC

Drawing



Safety Label



Valid Revision

1 | 07-MAR-2025