

Dot laser, infrared, 850 nm, 0.35 mW

DD850-0.35-4(14x30)-AP-CON
Order Number: 70140590

Main Parameters (*)	min	typ	max	Unit
Wavelength	830	850	850	nm
Optical Output Power	0.3	0.35	0.37	mW
Operating Voltage	3.5	4	4.5	V DC
Operating Current		12		mA
Operating Temperature	-10		50	°C
Storage Temperature	-40		60	°C

Main Data

Warranty 1 years

Technical Parameters

Lifetime > 50,000 h
RoHS yes

Optical Parameters

Beam Shape	Dot
Laser Class	1
Divergence	D - 0.5 mrad
Beam Diameter	3mm
Operating Distance	10m
Optics	glass lens AR coated
Laser technology	Single Mode Diode
Opt. Power Stability at const. Temp.	< 1%
Stability	< 8% @ -10 - 50°C
Axial Divergence	± 2°
Focus	collimated
Pointing Stability	< 0.2°

Electrical Parameters

Rise Time	< 100 ms
Potential of Housing	isolated
ESD Protection	IEC 61000-4-2

Mechanical Parameters

Size	Ø14x30 mm
Material	aluminium
Cable length	150 mm
Wire type	Belden, Typ 1095, 28AWG
Output Aperture	3 mm
Housing Color	black
Weight	11.3g

(*) Over the complete operating temperature range

Features



- Operating Voltage 4 V DC
- Laser Class 1
- Image processing
- Glas lenses anti reflex coated
- Uniform illumination

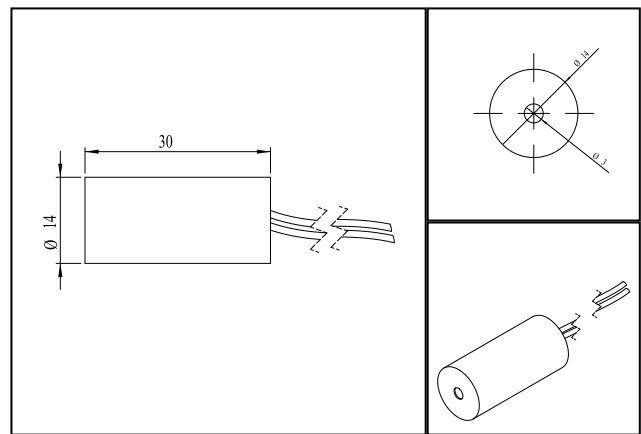
Picture



Cable color

Ground		black	GND
Positive		red	3.5 - 4.5, typ 4 V DC

Drawing



Safety Label



Valid Revision

| 28-JUN-2023