

Doe laser, red, 658 nm, 50 mW

DD658-50-230(35x140)-DOE
Order Number: 70115321

Main Parameters (*)	min	typ	max	Unit
Wavelength		658		nm
Optical Output Power		50		mW
Operating Voltage	207	230	253	V AC
Operating Current	5	10	15	mA
Operating Temperature	-20		50	°C
Storage Temperature	-40		80	°C

Main Data

Warranty	1 years
----------	---------

Technical Parameters

Lifetime	> 10,000 h
RoHS	yes

Optical Parameters

Beam Shape	DOE
Laser Class	3B
Divergence	D - 0.5 mrad
Operating Distance	100 m
Optics	glass lens AR coated
Laser technology	Single Mode Diode
Focus	adjustable

Electrical Parameters

Potential of Housing	isolated
Connector	AC CEE 7/7

Mechanical Parameters

Size	Ø35x140 mm
Material	aluminium
Cable length	1,700 mm
Wire type	H05VV-F
Output Aperture	5 mm
Housing Color	silver
Weight	350 g

(*) Over the complete operating temperature range

Features

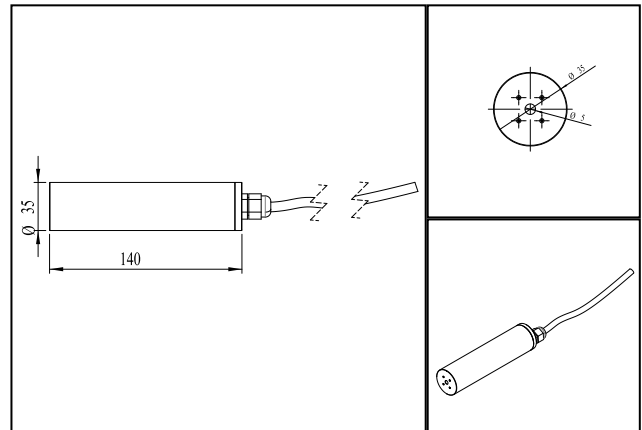


- DOE Laser
- Glas lenses anti reflex coated
- With 230V power supply
- High power
- Adjustable focus

Picture



Drawing



Safety Label



Valid Revision

1 | 01-MAR-2021