

## Dot laser, red, 650 nm, 16 mW

DD650-16-3(22x65)  
Order Number: 70102161

Main Parameters (*)	min	typ	max	Unit
Wavelength		650		nm
Optical Output Power		16		mW
Operating Voltage	2.7	3	3.3	V DC
Operating Current	40	65	100	mA
Operating Temperature	-20		50	°C
Storage Temperature	-40		80	°C

### Main Data

Warranty 1 years

### Technical Parameters

Lifetime > 5,000 h  
RoHS yes

### Optical Parameters

Beam Shape Dot  
Laser Class 3B  
Divergence D - 0.5 mrad  
Size of Laserdot adjustable  
Operating Distance 150 m  
Optics glass lens AR coated  
Laser technology Single Mode Diode  
Focus adjustable

### Electrical Parameters

Potential of Housing isolated

### Mechanical Parameters

Size Ø22x65 mm  
Material aluminium  
Cable length 100 mm  
Wire type 26AWG, 0,14mm<sup>2</sup>  
Output Aperture 5 mm  
Housing Color black  
Weight 54 g  
Stripping of wire 5 mm

(\*) Over the complete operating temperature range

### Features



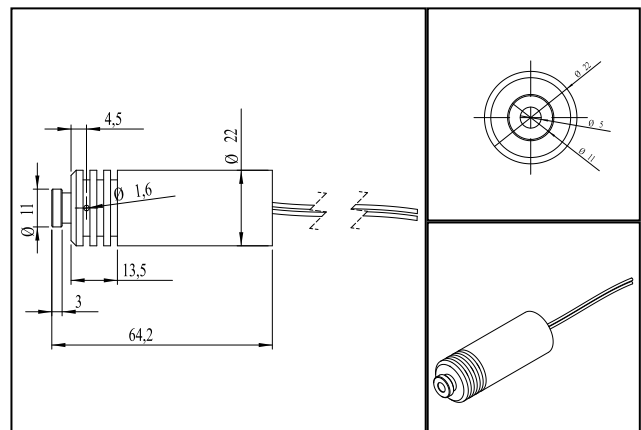
### Picture



### Cable color

Ground		black	GND
Positive		red	2.7 - 3.3, typ 3 V DC

### Drawing



### Safety Label



### Valid Revision

4 | 24-NOV-2020