

## Dot laser, red, 650 nm, 10 mW

DD650-10-3(14x45)  
Order Number: 70133219

Main Parameters (*)	min	typ	max	Unit
Wavelength		650		nm
Optical Output Power		10		mW
Operating Voltage	2.7	3	3.3	V DC
Operating Current	30	80	100	mA
Operating Temperature	-10		40	°C
Storage Temperature	-40		80	°C

### Main Data

Warranty 1 years

### Technical Parameters

Lifetime >20,000 h  
RoHS yes

### Optical Parameters

Beam Shape Dot  
Laser Class 3B  
Divergence D - 0.5 mrad  
Beam Diameter 5 mm  
Size of Laserdot <7mm@10m  
Operating Distance 10 m  
Optics glass lens AR coated  
Laser technology Single Mode Diode  
Focus fixed (10.0m)

### Electrical Parameters

Potential of Housing isolated  
Power Supply Power Supply with stripped/tinned wires, Output: 3.3V DC, Input: 100-240V AC, 50-60Hz, Output Power: 3.3W max.

### Mechanical Parameters

Size Ø14x45 mm  
Material aluminium  
Cable length 200 mm  
Wire type Belden, Typ 1007, 26AWG  
Output Aperture 5 mm  
Housing Color black  
Weight 18 g  
Stripping of wire 5 mm

(\*) Over the complete operating temperature range

### Features



- Laser Class 3B
- Low power consumption
- Uniform line thickness
- Image processing

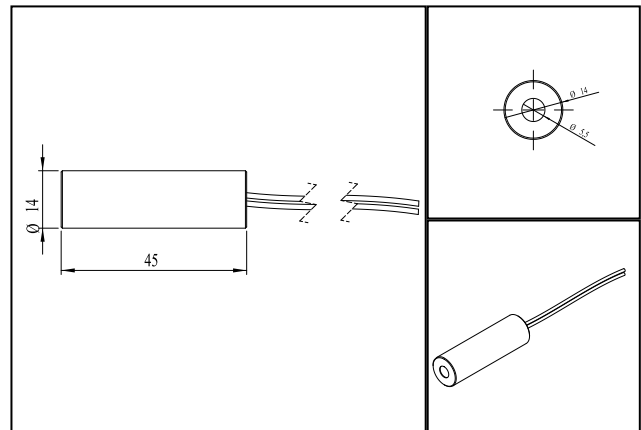
### Picture



### Cable color

Ground  black GND  
Positive  red 2.7 - 3.3, typ 3 V DC

### Drawing



### Safety Label



### Valid Revision

| 23-JAN-2020