

Doe laser, red, 635 nm, 5 mW

DD635-5-5(16x62)-DOE
Order Number: 70120004

Main Parameters (*)	min	typ	max	Unit
Wavelength		635		nm
Optical Output Power		5		mW
Operating Voltage	4.7	5	5.3	V DC
Operating Current	30	51	70	mA
Operating Temperature	-20		50	°C
Storage Temperature	-40		80	°C

Main Data

Warranty 1 years

Technical Parameters

Lifetime > 10,000 h
RoHS yes

Optical Parameters

Beam Shape	DOE
Laser Class	3R
Divergence	D - 0.5 mrad
Operating Distance	50 m
Optics	glass lens AR coated
Beam Mode	TEM00
Laser technology	Single Mode Diode
Stability	+/- 3% @ -10-50°C
Focus	adjustable

Electrical Parameters

Potential of Housing	isolated
Power Supply	Power Supply with stripped/tinned wires, Output: 5V DC, Input: 100-240V AC, 50-60Hz, Output Power: 3W max.
Stripping of cable cover	50 mm

Mechanical Parameters

Size	Ø16x62 mm
Material	aluminium
Cable length	300 mm
Wire type	18AWG, black, 3,6mm
Output Aperture	5 mm
Housing Color	black
Weight	30 g
Stripping of wire	5 mm

(*) Over the complete operating temperature range

Features



- Adjustable focus
- DOE optic can be changed
- Compact size
- Glas lenses anti reflex coated
- Operating Voltage 5V DC

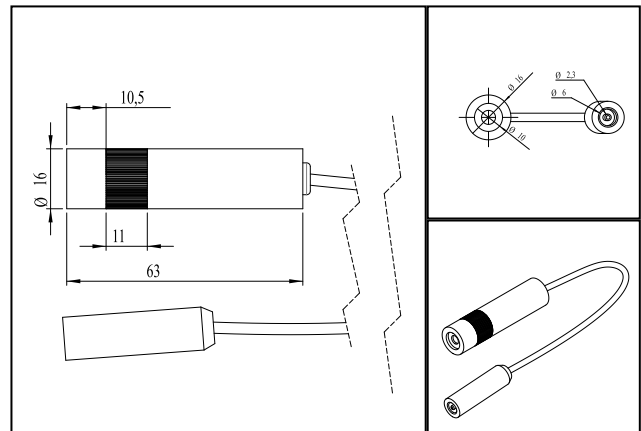
Picture



Cable color

Ground		black	GND
Positive		white	4.7 - 5.3, typ 5 V DC

Drawing



Safety Label



Valid Revision

| 23-FEB-2021