

Doe laser, red, 635 nm, 30 mW

DD635-30-24(20x135)-M12-DOE
Order Number: 70148701

Main Parameters (*)	min	typ	max	Unit
Wavelength	630	635	640	nm
Optical Output Power	27	30	35	mW
Operating Voltage	21.6	24	26.4	V DC
Operating Current	40	100	150	mA
Operating Temperature	-20		50	°C
Storage Temperature	-40		80	°C

Main Data

Warranty 1 years

Technical Parameters

Lifetime > 10,000 h
RoHS yes

Optical Parameters

Beam Shape DOE
Laser Class 3B
Divergence D - 0.5 mrad
Operating Distance 20 m
Optics glass lens AR coated
Laser technology Single Mode Diode
Stability +/- 3% @ -10-50°C
Protection Lens yes
Focus adjustable

Electrical Parameters

Potential of Housing isolated
ESD Protection IEC 61000-4-2
Connector CON-M12

Power Supply Power Supply, Output: 24V DC,
Input: 100-240V AC, 50-60Hz,
Output Power: 24W max.
SYS 1308-2424-W2E | 2,1 x 5,5
x 11 center positive

Mechanical Parameters

Size Ø20x135 mm
Material Stainless Steel
Output Aperture 16 mm
Housing Color red
Weight 350 g

Protection Class IP64

(*) Over the complete operating temperature range

Features

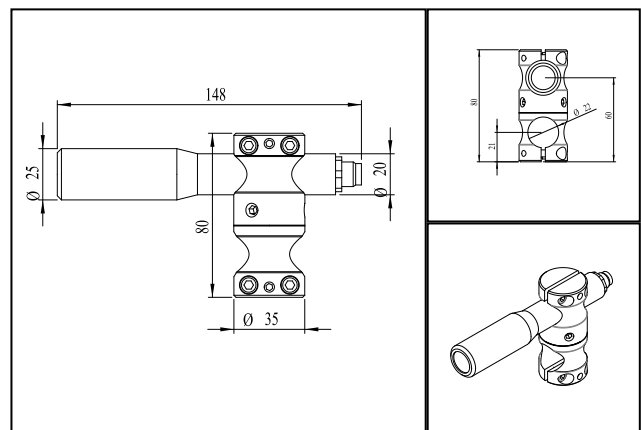


- Stainless steel for industrial applications
- Protection Class (IP64)
- Adjustable focus
- M12 industrial connector
- Protection lens

Picture



Drawing



Safety Label



Valid Revision

| 30-AUG-2023