

Doe laser, red, 635 nm, 15 mW

DD635-15-5(20x135)-M12-DOE
Order Number: 70148596

Main Parameters (*)	min	typ	max	Unit
Wavelength	630	635	640	nm
Optical Output Power	13	15	20	mW
Operating Voltage	4.5	5	5.5	V DC
Operating Current	80	120	200	mA
Operating Temperature	-20		50	°C
Storage Temperature	-40		80	°C

Main Data

Warranty 1 years

Technical Parameters

Lifetime > 10,000 h
RoHS yes

Optical Parameters

Beam Shape DOE
Laser Class 3B
Divergence D - 0.5 mrad
Operating Distance 10 m
Optics glass lens AR coated
Laser technology Single Mode Diode
Stability +/- 3% @ -10-50°C
Protection Lens yes
Focus adjustable

Electrical Parameters

Potential of Housing isolated
ESD Protection IEC 61000-4-2
Connector CON-M12

Power Supply Adapterkabel Sensorleitung mit M12-Stecker, 4 Pol, 2m, Stecker gerade, auf Rundstecker 2.1mm and 5v power supply for 230VAC

Mechanical Parameters

Size Ø20x135 mm
Material Stainless Steel
Output Aperture 16 mm
Housing Color red
Weight 350 g

Protection Class IP64

(*) Over the complete operating temperature range

Features

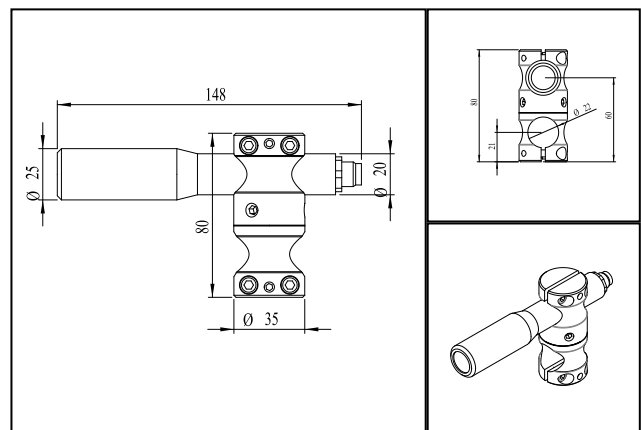


- Stainless steel for industrial applications
- Protection Class (IP64)
- Adjustable focus
- M12 industrial connector
- Protection lens

Picture



Drawing



Safety Label



Valid Revision

| 24-AUG-2023