

Dot laser, green, 532 nm, 50 mW

DD532-50-5(85x50x40)
Order Number: 70101461

Main Parameters (*)	min	typ	max	Unit
Wavelength		532		nm
Optical Output Power		50		mW
Operating Voltage	4.5	5	5.5	V DC
Operating Current	250	450	600	mA
Operating Temperature	15		30	°C
Storage Temperature	-40		80	°C

Main Data

Warranty 1 years

Technical Parameters

Lifetime > 5,000 h
RoHS yes

Optical Parameters

Beam Shape Dot
Laser Class 3B
Divergence D - 0.5 mrad
Beam Diameter 3.5 mm
Size of Laserdot 4mm@10m
Operating Distance 100 m
Optics glass lens AR coated
Beam Mode TEM00
Laser technology YVO4+KTP
Stability +/- 20% @ 15-30°C
Focus collimated
Warm up time < 15 min

Electrical Parameters

Potential of Housing isolated
Power Supply Power Supply with stripped/tinned wires, Output: 5V DC, Input: 100-240V AC, 50-60Hz, Output Power: 3W max.

Mechanical Parameters

Size 50x85x40 mm
Material aluminium
Cable length 100 mm
Output Aperture 5 mm
Weight 297 g

(*) Over the complete operating temperature range

Features



- High Power
- External pcb
- Operating Voltage 5V DC
- Laser Class 3B
- Glas lenses anti reflex coated

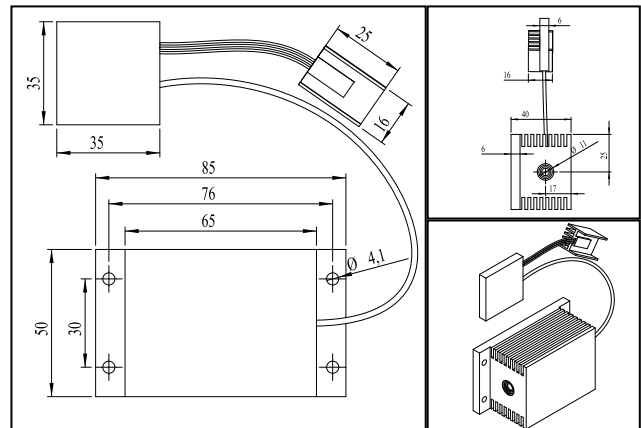
Picture



Cable color

Ground  blue GND
Positive  red 4.5 - 5.5, typ 5 V DC

Drawing



Safety Label



Valid Revision

14 | 09-DEC-2010