

Doe laser, green, 532nm, 50mW

DD532-50-230(40x210)-DOE

Order Number: 70119992

Main Parameters (*)	min	typ	max	Unit
Wavelength		532		nm
Optical Output Power		50		mW
Operating Voltage	207	230	253	V AC
Operating Current	10	20	25	mA
Operating Temperature	15		30	°C
Storage Temperature	-40		80	°C

Technical Parameters

Lifetime	>10000h
RoHS	yes

Optical Parameters

Beam Shape	DOE
Laser Class	3B
Divergence	D - 0.5mrad
Operating Distance	150m
Optics	glass lens AR coated
Beam Mode	TEM00
Laser technology	Solid State (YVO4+KTP)
Stability	+/- 20% @ 15-30°C
Focus	adjustable
Warm up time	<15min

Electrical Parameters

Potential of Housing	isolated
Connector	AC CEE 7/7

Mechanical Parameters

Size	Ø40x210mm
Material	aluminium
Cable length	1700mm
Wire type	H05VV-F
Output Aperture	5mm
Weight	600g

(*) Over the complete operating temperature range

Features

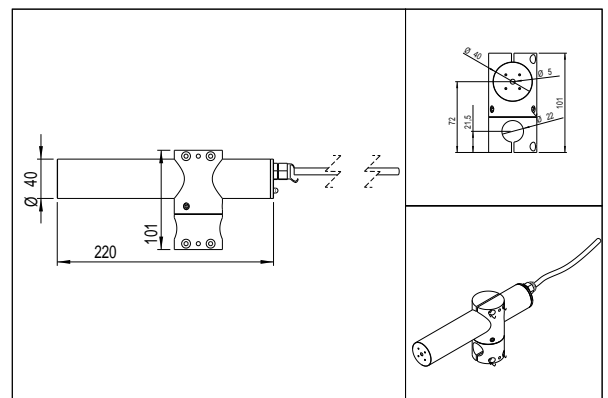


- DOE Laser
- Glas lenses anti reflex coated
- With 230V power supply
- High power
- Adjustable focus

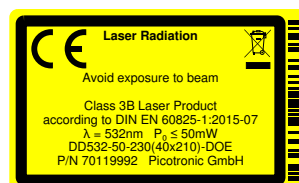
Picture



Drawing



Safety Label



Revision

| 19-MAR-2019