

## Doe laser, green, 532 nm, 50 mW

DD532-50-230(40x210)-DOE  
Order Number: 70119992

Main Parameters (*)	min	typ	max	Unit
Wavelength		532		nm
Optical Output Power		50		mW
Operating Voltage	207	230	253	V AC
Operating Current	10	20	25	mA
Operating Temperature	15		30	°C
Storage Temperature	-40		80	°C

### Main Data

Warranty 1 years

### Technical Parameters

Lifetime > 10,000 h  
RoHS yes

### Optical Parameters

Beam Shape	DOE
Laser Class	3B
Divergence	D - 0.5 mrad
Operating Distance	150 m
Optics	glass lens AR coated
Beam Mode	TEM00
Laser technology	Solid State (YVO4+KTP)
Stability	+/- 20% @ 15-30°C
Focus	adjustable
Warm up time	< 15 min

### Electrical Parameters

Potential of Housing	isolated
Connector	AC CEE 7/7

### Mechanical Parameters

Size	Ø40x210 mm
Material	aluminium
Cable length	1,700 mm
Wire type	H05VV-F
Output Aperture	5 mm
Weight	600 g

(\*) Over the complete operating temperature range

### Features

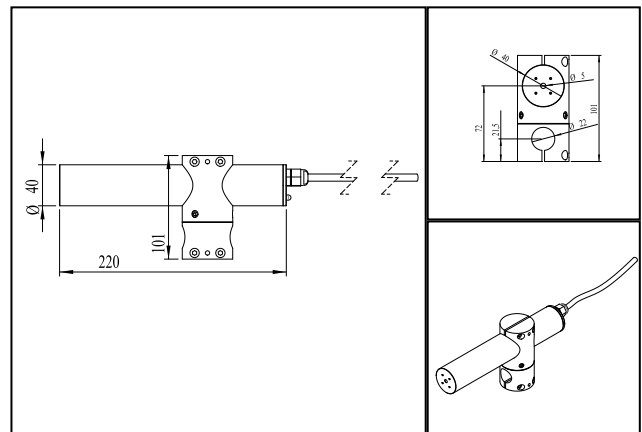


- DOE Laser
- Glas lenses anti reflex coated
- With 230V power supply
- High power
- Adjustable focus

### Picture



### Drawing



### Safety Label



### Valid Revision

| 19-MAR-2019