

Dot laser, green, 532 nm, 5 mW

DD532-5-5(21x21x50)
Order Number: 70101126

Main Parameters (*)	min	typ	max	Unit
Wavelength		532		nm
Optical Output Power		5		mW
Operating Voltage	4.5	5	5.5	V DC
Operating Current	200	250	300	mA
Operating Temperature	15		30	°C
Storage Temperature	-40		80	°C

Stammdaten

Warranty 1 Jahre

Technical Parameters

Lifetime	>5000 h
RoHS	yes

Optical Parameters

Beam Shape	Dot
Laser Class	3R
Divergence	D - 0.5 mrad
Beam Diameter	3.5 mm
Size of Laserdot	<5mm@5m
Operating Distance	150 m
Optics	glass lens AR coated
Beam Mode	TEM00
Laser technology	Solid State (YVO4+KTP)
Stability	+/- 20% @ 15-30°C
Focus	collimated
Warm up time	<15 min

Electrical Parameters

Potential of Housing	isolated
----------------------	----------

Mechanical Parameters

Size	21x21x50 mm
Material	aluminium
Cable length	280 mm
Wire type	26AWG, 0,14mm ²
Output Aperture	5 mm
Housing Color	black
Weight	54 g

(*) Over the complete operating temperature range

Features



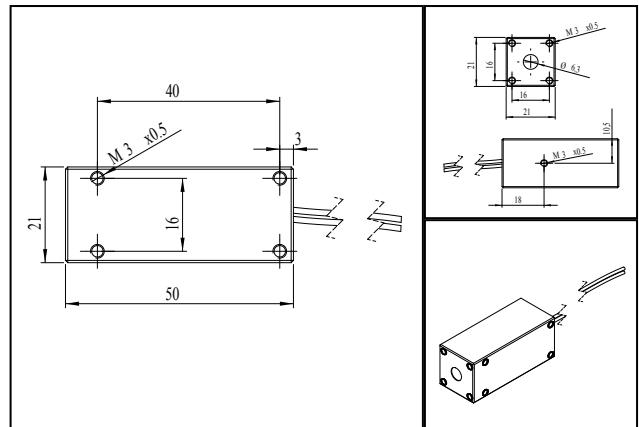
Picture



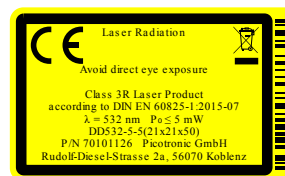
Cable color

Ground		black	GND
positive		red	4.5 - 5.5, typ 5 V DC

Drawing



safety label



Valid Revision

REV 3 | 20-MAR-2013