

Dot laser, green, 532 nm, 5 mW

DD532-5-3-F(12x50)
Order Number: 70112795

Main Parameters (*)	min	typ	max	Unit
Wavelength		532		nm
Optical Output Power		5		mW
Operating Voltage	2.7	3	3.3	V DC
Operating Current	100	200	300	mA
Operating Temperature		15	30	°C
Storage Temperature		-40	80	°C

Main Data

Warranty 1 years

Technical Parameters

Lifetime > 5,000 h
RoHS yes

Optical Parameters

Beam Shape	Dot
Laser Class	3R
Divergence	D - 0.5 mrad
Size of Laserdot	adjustable
Operating Distance	100 m
Optics	glass lens AR coated
Beam Mode	TEM00
Laser technology	Solid State (YVO4+KTP)
Stability	+/- 20% @ 15-30°C
Focus	adjustable
Warm up time	< 15 min

Electrical Parameters

Potential of Housing	isolated
Power Supply	Power Supply with stripped/tinned wires, Output: 3.3V DC, Input: 100-240V AC, 50-60Hz, Output Power: 3.3W max.

Mechanical Parameters

Size	Ø12x50 mm
Material	aluminium
Cable length	100 mm
Output Aperture	3.5 mm
Weight	16 g

(*) Over the complete operating temperature range

Features



- Laser Class 3R
- Operating Voltage 3V DC
- Compact size
- Glas lenses anti reflex coated
- Adjustable focus

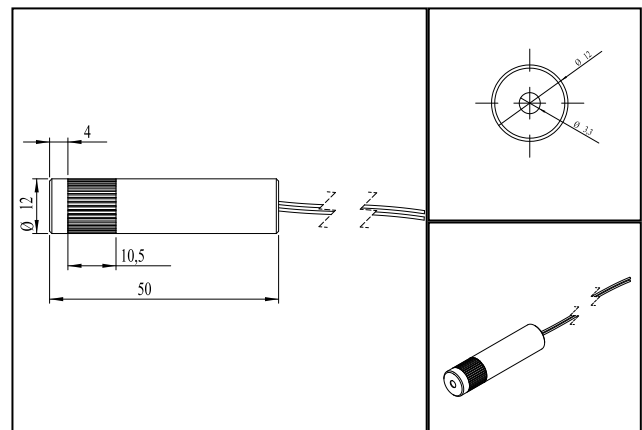
Picture



Cable color

Ground		blue	GND
Positive		red	2.7 - 3.3, typ 3 V DC

Drawing



Safety Label



Valid Revision

5 | 13-AUG-2021