

## Dot laser, green, 532 nm, 5 mW

DD532-5-3(16x60)  
Order Number: 70100044

Main Parameters (*)	min	typ	max	Unit
Wavelength		532		nm
Optical Output Power		5		mW
Operating Voltage	2.7	3	3.3	V DC
Operating Current	125	250	375	mA
Operating Temperature		15	30	°C
Storage Temperature	-40		80	°C

### Main Data

Warranty 1 years

### Technical Parameters

Lifetime > 5,000 h  
RoHS yes

### Optical Parameters

Beam Shape Dot  
Laser Class 3R  
Divergence D - 0.5 mrad  
Beam Diameter 5 mm  
Size of Laserdot <4..5mm@10m  
Operating Distance 250 m  
Optics glass lens AR coated  
Beam Mode TEM00  
Laser technology YVO4+KTP  
Stability +/- 20% @ 15-30°C  
Focus collimated  
Warm up time < 15 min

### Electrical Parameters

Potential of Housing isolated  
Power Supply with stripped/tinned wires, Output: 3.3V DC, Input: 100-240V AC, 50-60Hz, Output Power: 3.3W max.

### Mechanical Parameters

Size Ø16x60 mm  
Material aluminium  
Cable length 100 mm  
Output Aperture 5 mm  
Weight 38 g

(\*) Over the complete operating temperature range

## Features



- Operating Voltage 3V DC
- Laser Class 3R
- Small laser head
- Glas lenses anti reflex coated
- Fixed focus

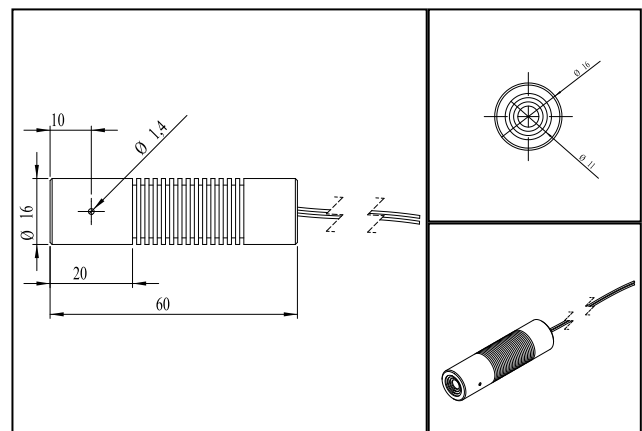
## Picture



## Cable color

Ground		blue	GND
Positive		red	2.7 - 3.3, typ 3 V DC

## Drawing



## Safety Label



## Valid Revision

7 | 14-AUG-2019