

## Dot laser, green, 532 nm, 30 mW

DD532-30-3(20x80)  
Order Number: 70101423

Main Parameters (*)	min	typ	max	Unit
Wavelength		532		nm
Optical Output Power		30		mW
Operating Voltage	2.7	3	3.3	V DC
Operating Current	150	400	500	mA
Operating Temperature	15		30	°C
Storage Temperature	-40		80	°C

### Main Data

Warranty 1 years

### Technical Parameters

Lifetime >5,000 h  
RoHS yes

### Optical Parameters

Beam Shape Dot  
Laser Class 3B  
Divergence D - 0.5 mrad  
Size of Laserdot <3..5mm@10m  
Operating Distance 500 m  
Optics glass lens AR coated  
Beam Mode TEM00  
Laser technology YVO4+KTP  
Stability +/- 20% @ 15-30°C  
Focus collimated  
Warm up time <15 min

### Electrical Parameters

Potential of Housing isolated

### Mechanical Parameters

Size Ø20x80 mm  
Material aluminium  
Cable length 100 mm  
Output Aperture 5 mm  
Weight 55 g

(\*) Over the complete operating temperature range

### Features



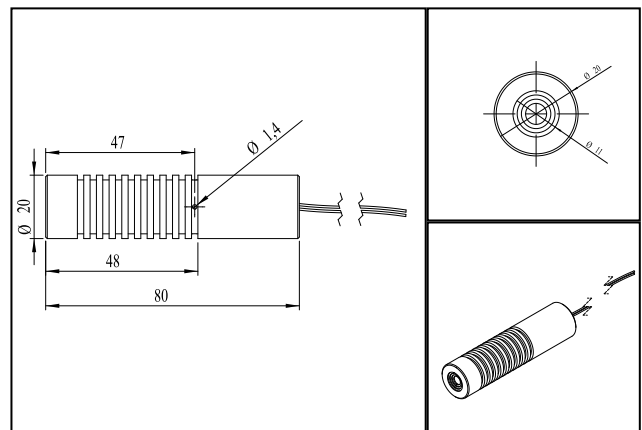
### Picture



### Cable color

Ground		blue	GND
Positive		red	2.7 - 3.3, typ 3 V DC

### Drawing



### Safety Label



### Valid Revision

3 | 17-DEC-2018