

Doe laser, green, 532 nm, 30 mW

DD532-30-24(20x135)-M12-DOE
Order Number: 70148695

Main Parameters (*)	min	typ	max	Unit
Wavelength	525	532	537	nm
Optical Output Power	25	30	32	mW
Operating Voltage	21.6	24	26.4	V DC
Operating Current	50	85	115	mA
Operating Temperature	15		30	°C
Storage Temperature	-40		80	°C

Main Data

Warranty 1 years

Technical Parameters

Lifetime >10000 h
RoHS yes

Optical Parameters

Beam Shape	DOE
Laser Class	3B
Divergence	D - 0.5 mrad
Operating Distance	20 m
Optics	glass lens AR coated
Beam Mode	TEM00
Laser technology	Solid State (YVO4+KTP)
Stability	+/- 10% @ 15-30°C
Protection Lens	yes
Focus	adjustable
Warm up time	<15 min

Electrical Parameters

Potential of Housing	isolated
ESD Protection	IEC 61000-4-2
Connector	CON-M12

Mechanical Parameters

Size	Ø20x135 mm
Material	Stainless Steel
Output Aperture	16 mm
Housing Color	green
Weight	350 g
Protection Class	IP64

(*) Over the complete operating temperature range

Features

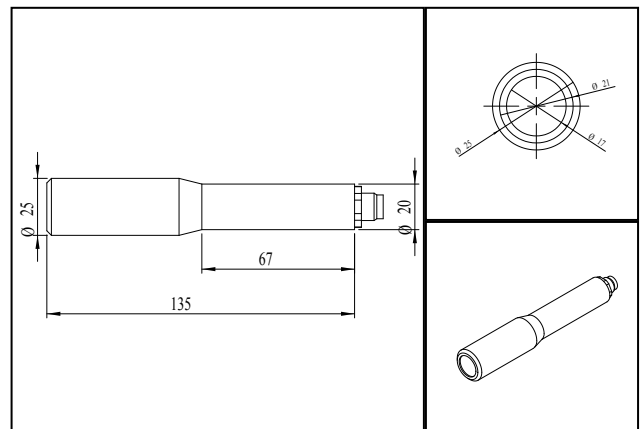


- Stainless steel body for industrial applications
- Protection Class (IP64)
- Adjustable focus
- M12 industrial connector
- Protection lens

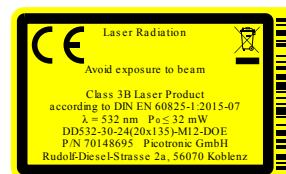
Picture



Drawing



Safety Label



Valid Revision

| 19-AUG-2020