

## Dot laser, green, 532 nm, 3 mW

DD532-3-5(21x21x50)  
Order Number: 70101089

Main Parameters (*)	min	typ	max	Unit
Wavelength		532		nm
Optical Output Power		3		mW
Operating Voltage	4.5	5	5.5	V DC
Operating Current	200	250	350	mA
Operating Temperature	15		30	°C
Storage Temperature	-40		80	°C

### Main Data

Warranty 1 years

### Technical Parameters

Lifetime > 5,000 h  
RoHS yes

### Optical Parameters

Beam Shape	Dot
Laser Class	3R
Divergence	D - 0.5 mrad
Beam Diameter	3.5 mm
Size of Laserdot	<5mm@5m
Operating Distance	100 m
Optics	glass lens AR coated
Beam Mode	TEM00
Laser technology	Solid State (YVO4+KTP)
Stability	+/- 20% @ 15-30°C
Focus	collimated
Warm up time	< 15 min

### Electrical Parameters

Potential of Housing isolated

### Mechanical Parameters

Size	21x21x50 mm
Material	aluminium
Cable length	280 mm
Wire type	26AWG, 0,14mm <sup>2</sup>
Output Aperture	5 mm
Housing Color	black
Weight	54 g

(\*) Over the complete operating temperature range

### Features



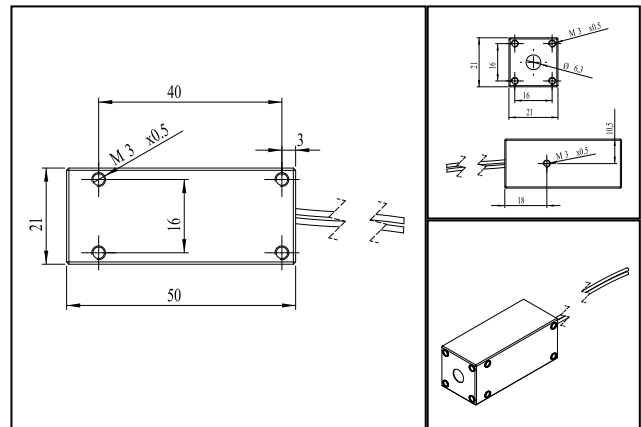
### Picture



### Cable color

Ground		black	GND
Positive		red	4.5 - 5.5, typ 5 V DC

### Drawing



### Safety Label



### Valid Revision

2 | 20-MAR-2013