

Dot laser, green, 532 nm, 25 mW

DD532-25-3(25x60)
Order Number: 70103038

Main Parameters (*)	min	typ	max	Unit
Wavelength		532		nm
Optical Output Power		25		mW
Operating Voltage	2.7	3	3.3	V DC
Operating Current	175	350	525	mA
Operating Temperature		15	30	°C
Storage Temperature	-40		80	°C

Main Data

Warranty 1 years

Technical Parameters

Lifetime > 5,000 h
RoHS yes

Optical Parameters

Beam Shape	Dot
Laser Class	3B
Divergence	D - 0.5 mrad
Beam Diameter	5 mm
Size of Laserdot	<3..5mm@10m
Operating Distance	350 m
Optics	glass lens AR coated
Beam Mode	TEM00
Laser technology	YVO4+KTP
Focus	collimated
Warm up time	< 15 min

Electrical Parameters

Potential of Housing	VDD(+)
Power Supply	Power Supply with stripped/tinned wires, Output: 3.3V DC, Input: 100-240V AC, 50-60Hz, Output Power: 3.3W max.

Mechanical Parameters

Size	Ø25x60 mm
Material	aluminium
Cable length	100 mm
Output Aperture	5 mm
Weight	57 g

(*) Over the complete operating temperature range

Features



- Operating Voltage 3V DC
- Laser Class 3B
- High Power
- Small laser head
- Fixed focus

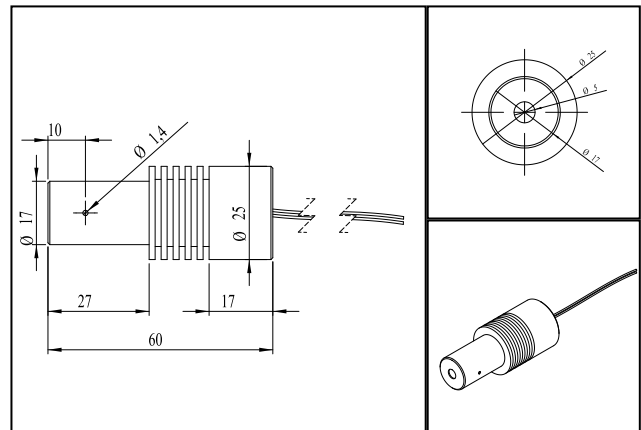
Picture



Cable color

Ground		blue	GND
Positive		red	2.7 - 3.3, typ 3 V DC

Drawing



Safety Label



Valid Revision

2 | 11-JAN-2012