

Dot laser, green, 532 nm, 15 mW

DD532-15-3(20x80)
Order Number: 70101287

Main Parameters (*)	min	typ	max	Unit
Wavelength		532		nm
Optical Output Power		15		mW
Operating Voltage	2.7	3	3.3	V DC
Operating Current	125	250	375	mA
Operating Temperature	15		30	°C
Storage Temperature	-40		80	°C

Main Data

Warranty 1 years

Technical Parameters

Lifetime > 5,000 h
RoHS yes

Optical Parameters

Beam Shape	Dot
Laser Class	3B
Divergence	D - 0.5 mrad
Beam Diameter	3 mm
Size of Laserdot	<3..5mm@10m
Operating Distance	300 m
Optics	glass lens AR coated
Beam Mode	TEM00
Laser technology	YVO4+KTP
Stability	+/- 20% @ 15-30°C
Focus	collimated
Warm up time	< 15 min

Electrical Parameters

Potential of Housing VDD(+)
Power Supply LFNT-3

Mechanical Parameters

Size	Ø20x80 mm
Material	aluminium
Cable length	100 mm
Wire type	26AWG, 0,14mm ²
Output Aperture	5 mm
Weight	76 g

(*) Over the complete operating temperature range

Features



- Operating Voltage 3 V DC
- Laser Class 3B
- Compact size
- High Power
- Glas lenses anti reflex coated

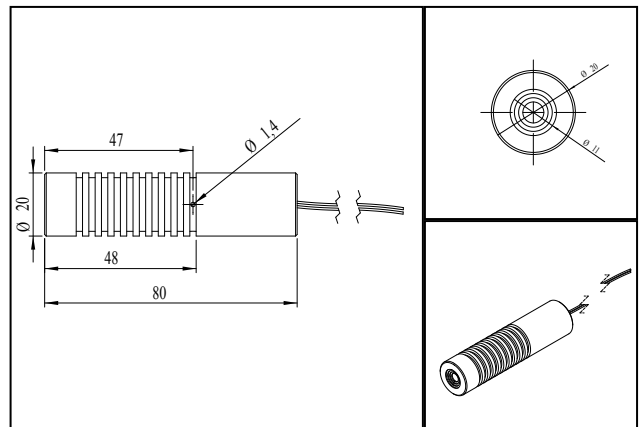
Picture



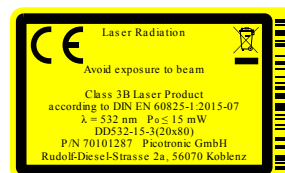
Cable color

Ground		black	GND
positive		red	2.7 - 3.3, typ 3 V DC

Drawing



Safety Label



Valid Revision

3 | 17-DEC-2018