

Doe laser, green, 532 nm, 15 mW

DD532-15-24(20x135)-M12-DOE
Order Number: 70148640

Main Parameters (*)	min	typ	max	Unit
Wavelength	525	532	537	nm
Optical Output Power	12	15	17	mW
Operating Voltage	21.6	24	26.4	V DC
Operating Current	40	75	115	mA
Operating Temperature	15		30	°C
Storage Temperature	-40		80	°C

Main Data

Warranty 1 years

Technical Parameters

Lifetime > 10,000 h
RoHS yes

Optical Parameters

Beam Shape	DOE
Laser Class	3B
Divergence	D - 0.5 mrad
Operating Distance	20 m
Optics	glass lens AR coated
Beam Mode	TEM00
Laser technology	Solid State (YVO4+KTP)
Stability	+/- 10% @ 15-30°C
Protection Lens	yes
Focus	adjustable
Warm up time	< 15 min

Electrical Parameters

Potential of Housing	isolated
ESD Protection	IEC 61000-4-2
Connector	CON-M12

Power Supply
Power Supply, Output: 24V DC,
Input: 100-240V AC, 50-60Hz,
Output Power: 24W max.
SYS 1308-2424-W2E | 2,1 x 5,5
x 11 center positive

Mechanical Parameters

Size	Ø20x135 mm
Material	Stainless Steel
Output Aperture	16 mm
Housing Color	green

Weight	350 g
Protection Class	IP 64

(*) Over the complete operating temperature range

Features

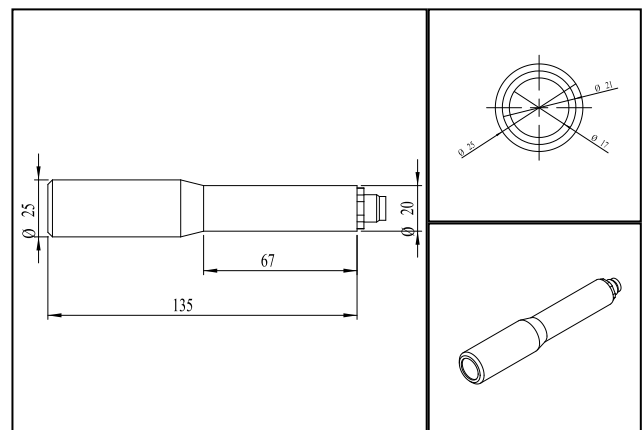


- Stainless steel for industrial applications
- Protection Class (IP64)
- Adjustable focus
- M12 industrial connector
- Protection lens

Picture



Drawing



Safety Label



Valid Revision

| 24-AUG-2023