

## Doe laser, green, 532 nm, 15 mW

DD532-15-230(35x210)-DOE  
Order Number: 70115291

Main Parameters (*)	min	typ	max	Unit
Wavelength		532		nm
Optical Output Power		15		mW
Operating Voltage	207	230	253	V AC
Operating Current	5	10	15	mA
Operating Temperature	15		30	°C
Storage Temperature	-40		80	°C

### Main Data

Warranty 1 years

### Technical Parameters

Lifetime > 10,000 h  
RoHS yes

### Optical Parameters

Beam Shape DOE  
Laser Class 3B  
Divergence D - 0.5 mrad  
Operating Distance 50 m  
Optics glass lens AR coated  
Beam Mode TEM00  
Laser technology YVO4+KTP  
Stability +/- 20% @ 15-30°C  
Focus adjustable  
Warm up time < 15 min

### Electrical Parameters

Potential of Housing isolated  
Connector AC CEE 7/7

### Mechanical Parameters

Size Ø35x210 mm  
Material aluminium  
Cable length 1,700 mm  
Wire type H05VV-F  
Output Aperture 5 mm  
Weight 450 g

(\*) Over the complete operating temperature range

### Features

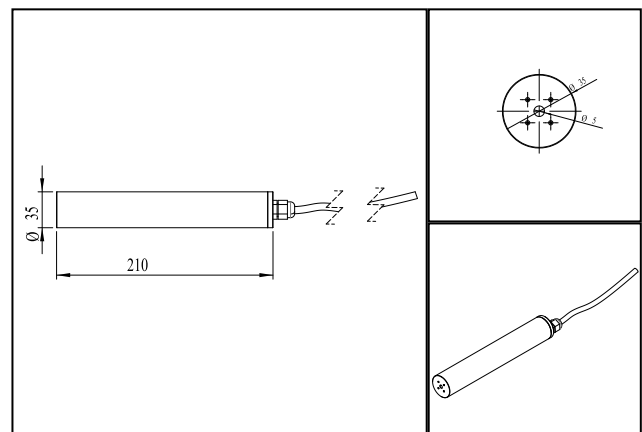


- DOE Laser
- Glas lenses anti reflex coated
- With 230V power supply
- High power
- Adjustable focus

### Picture



### Drawing



### Safety Label



### Valid Revision

1 | 20-JUN-2024