

Dot laser, green, 532 nm, 1 mW

DD532-1-5(21x21x50)
Order Number: 70100860

Main Parameters (*)	min	typ	max	Unit
Wavelength		532		nm
Optical Output Power		1		mW
Operating Voltage	4.5	5	5.5	V DC
Operating Current	200	250	300	mA
Operating Temperature		15	30	°C
Storage Temperature	-40		80	°C

Main Data

Warranty 1 years

Technical Parameters

Lifetime > 5,000 h
RoHS yes

Optical Parameters

Beam Shape	Dot
Laser Class	2
Divergence	D - 0.5 mrad
Beam Diameter	3.5 mm
Size of Laserdot	<5mm@5m
Operating Distance	50 m
Optics	glass lens AR coated
Beam Mode	TEM00
Laser technology	Solid State (YVO4+KTP)
Stability	+/- 20% @ 15-30°C
Focus	collimated
Warm up time	< 15 min

Electrical Parameters

Potential of Housing isolated

Mechanical Parameters

Size	21x21x50 mm
Material	aluminium
Cable length	280 mm
Wire type	Belden, Typ 1007, 26AWG
Output Aperture	5 mm
Housing Color	black
Weight	54 g
Stripping of wire	5 mm

(*) Over the complete operating temperature range

Features



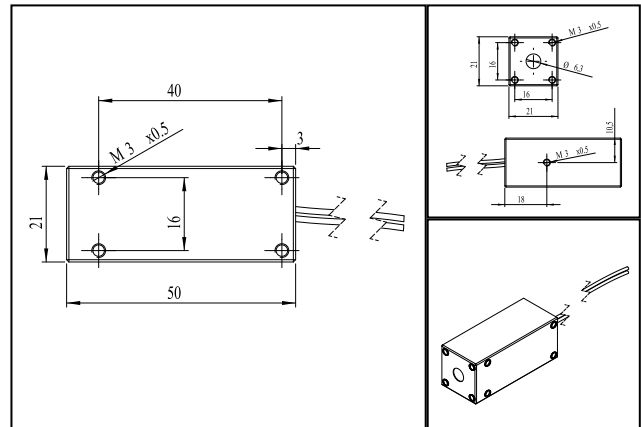
Picture



Cable color

Ground		black	GND
Positive		red	4.5 - 5.5, typ 5 V DC

Drawing



Safety Label



Valid Revision

3 | 29-MAY-2015