

## Dot laser, green, 532 nm, 1 mW

DD532-1-3(20x80)-AP  
Order Number: 70107272

Main Parameters (*)	min	typ	max	Unit
Wavelength		532		nm
Optical Output Power		1		mW
Operating Voltage	2.7	3	3.3	V DC
Operating Current	80	160	240	mA
Operating Temperature	15		30	°C
Storage Temperature	-40		80	°C

### Main Data

Warranty	1 years
----------	---------

### Technical Parameters

Lifetime	> 5,000 h
RoHS	yes

### Optical Parameters

Beam Shape	Dot
Laser Class	2
Divergence	D - 0.5 mrad
Size of Laserdot	<3.5..5mm@10m
Operating Distance	50 m
Optics	glass lens AR coated
Beam Mode	TEM00
Laser technology	Solid State (YVO4+KTP)
Stability	+/- 20% @ 15-30°C
Axial Divergence	± 0.1°
Focus	collimated
Warm up time	< 15 min

### Electrical Parameters

Potential of Housing	isolated
Power Supply	Power Supply with stripped/tinned wires, Output: 3.3V DC, Input: 100-240V AC, 50-60Hz, Output Power: 3.3W max.

### Mechanical Parameters

Size	Ø20x80 mm
Material	aluminium
Cable length	100 mm
Wire type	26AWG, 0,14mm <sup>2</sup>
Output Aperture	5 mm
Housing Color	black
Weight	55 g
Stripping of wire	5 mm

(\*) Over the complete operating temperature range

### Features



- Glas lenses anti reflex coated
- Laser Class 2
- Operating Voltage 3V DC
- Compact size
- Axial parallel

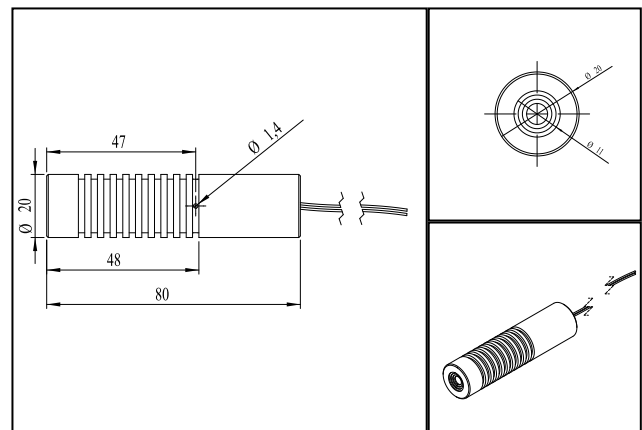
### Picture



### Cable color

Ground		blue	GND
Positive		red	2.7 - 3.3, typ 3 V DC

### Drawing



### Safety Label



### Valid Revision

3 | 15-SEP-2021