

## Dot laser, green, 532 nm, 1 mW

DD532-1-3(20x80)-AP-C300  
Order Number: 70108859

Main Parameters (*)	min	typ	max	Unit
Wavelength		532		nm
Optical Output Power		1		mW
Operating Voltage	2.7	3	3.3	V DC
Operating Current	100	250	350	mA
Operating Temperature	15		30	°C
Storage Temperature	-40		80	°C

### Main Data

Warranty 1 years

### Technical Parameters

Lifetime > 5,000 h  
RoHS yes

### Optical Parameters

Beam Shape	Dot
Laser Class	2
Divergence	D - 0.5 mrad
Beam Diameter	5 mm
Size of Laserdot	<5mm@10m
Operating Distance	100 m
Optics	glass lens AR coated
Beam Mode	TEM00
Laser technology	Solid State (YVO4+KTP)
Stability	+/- 20% @ 15-30°C
Axial Divergence	± 0.25°
Focus	collimated
Warm up time	< 15 min

### Electrical Parameters

Potential of Housing	isolated
Power Supply	Power Supply with stripped/tinned wires, Output: 3.3V DC, Input: 100-240V AC, 50-60Hz, Output Power: 3.3W max.

### Mechanical Parameters

Size	Ø20x80 mm
Material	aluminium
Cable length	300 mm
Wire type	26AWG, 0,14mm <sup>2</sup>
Output Aperture	5 mm
Housing Color	black
Weight	35 g
Stripping of wire	5 mm

(\*) Over the complete operating temperature range

### Features



- Laser Class 2
- Operating Voltage 3V DC
- Image processing
- Compact size
- Glas lenses anti reflex coated

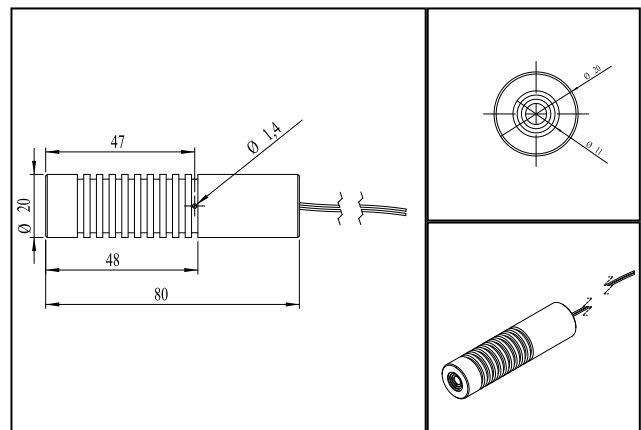
### Picture



### Cable color

Ground		blue	GND
Positive		red	2.7 - 3.3, typ 3 V DC

### Drawing



### Safety Label



### Valid Revision

6 | 08-MAY-2015