

Doe laser, green, 532 nm, 1 mW

DD532-1-3(16x62)-DOE-C
Order Number: 70115260

Main Parameters (*)	min	typ	max	Unit
Wavelength		532		nm
Optical Output Power		1		mW
Operating Voltage	2.7	3	3.3	V DC
Operating Current	125	250	375	mA
Operating Temperature	15		30	°C
Storage Temperature	-40		80	°C

Main Data

Warranty 1 years

Technical Parameters

Lifetime >5000 h
RoHS yes

Optical Parameters

Beam Shape	DOE
Laser Class	2
Divergence	D - 0.5 mrad
Operating Distance	50 m
Optics	glass lens AR coated
Beam Mode	TEM00
Laser technology	YVO4+KTP
Stability	+/- 10% @ 15-30°C
Focus	adjustable
Warm up time	<15 min

Electrical Parameters

Potential of Housing	isolated
Connector	2.5 mm DC socket (GND pole inner)
Power Supply	LFNT-3-C

Mechanical Parameters

Size	Ø16x62 mm
Material	aluminium
Cable length	200 mm
Wire type	18AWG, black, 3,6mm
Output Aperture	5 mm
Weight	37 g

(*) Over the complete operating temperature range

Features

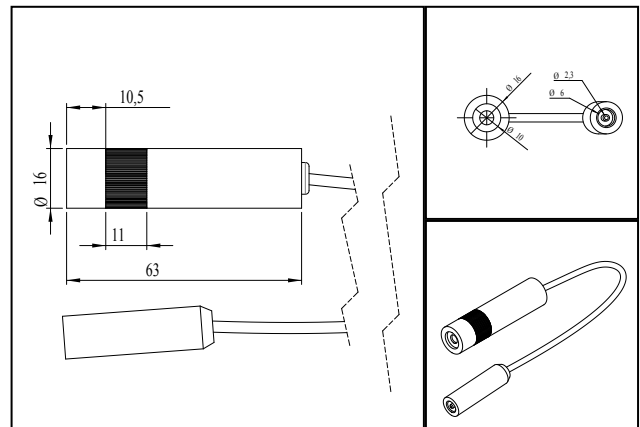


- Adjustable focus
- DOE optic can be changed
- Compact size
- Glas lenses anti reflex coated
- Operating Voltage 3 V DC

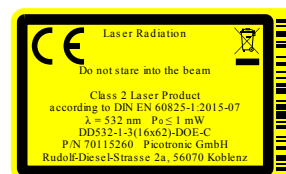
Picture



Drawing



Safety Label



Valid Revision

REV 1 | 04-DEC-2017