

Dot laser, green, 532nm, 1mW

DD532-1-24(20x80)

Order Number: 70124286

Main Parameters (*)	min	typ	max	Unit
Wavelength		532		nm
Optical Output Power		1		mW
Operating Voltage	23.4	24	24.7	V DC
Operating Current	3	11	20	mA
Operating Temperature	15		30	°C
Storage Temperature	-40		80	°C

Technical Parameters

Lifetime	>5000h
RoHS	yes

Optical Parameters

Beam Shape	Dot
Laser Class	2
Divergence	D - 0.5mrad
Size of Laserdot	<3.5..5mm@10m
Operating Distance	50m
Optics	glass lens AR coated
Beam Mode	TEM00
Laser technology	Solid State (YVO4+KTP)
Stability	+/- 20% @ 15-30 °C
Focus	collimated
Warm up time	<15min

Electrical Parameters

Potential of Housing	isolated
----------------------	----------

Mechanical Parameters

Size	Ø20x80mm
Material	aluminium
Cable length	100mm
Wire type	Belden, Typ 1007, 26AWG
Output Aperture	5mm
Housing Color	black
Weight	55g
Stripping of wire	5mm

(*) Over the complete operating temperature range

Features





- Glas lenses anti reflex coated
- Laser Class 2
- Operating Voltage 24V DC
- Compact size

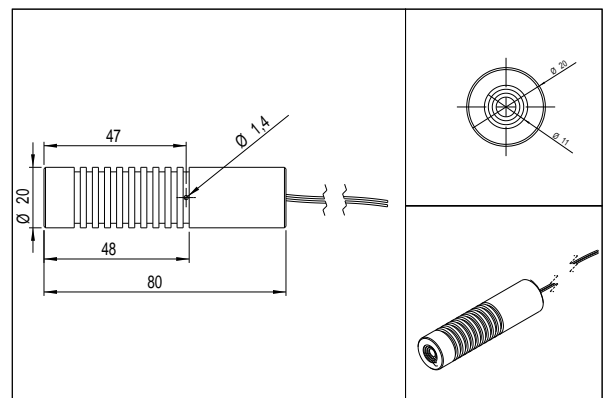
Picture



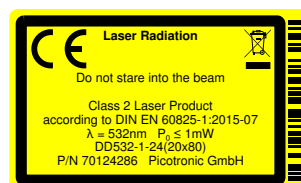
Cable Colors

Ground		black	GND
Positive		red	23.4 - 24.7, typ 24V DC

Drawing



Safety Label



Revision

| 17-DEC-2018