

Doe laser, green, 520 nm, 15 mW

DD520-15-24(20x135)-M12-DOE
Order Number: 70148657

Main Parameters (*)	min	typ	max	Unit
Wavelength	515	520	525	nm
Optical Output Power	13	15	20	mW
Operating Voltage	21.6	24	26.4	V DC
Operating Current	40	75	115	mA
Operating Temperature	-10		60	°C
Storage Temperature	-40		80	°C

Main Data

Warranty 1 years

Technical Parameters

Lifetime > 10,000 h
RoHS yes

Optical Parameters

Beam Shape DOE
Laser Class 3B
Divergence D - 0.5 mrad
Line Thickness adjustable
Operating Distance 15 m
Optics glass lens AR coated
Laser technology Single Mode Diode
Stability +/- 3% @ -10-50°C
Protection Lens yes
Focus adjustable

Electrical Parameters

Potential of Housing isolated
ESD Protection IEC 61000-4-2
Connector CON-M12
Power Supply Power Supply, Output: 24V DC, Input: 100-240V AC, 50-60Hz, Output Power: 24W max. SYS 1308-2424-W2E | 2,1 x 5,5 x 11 center positive

Mechanical Parameters

Size Ø20x135 mm
Material Stainless Steel
Output Aperture 16 mm
Housing Color green
Weight 350 g

Protection Class IP64

(*) Over the complete operating temperature range

Features

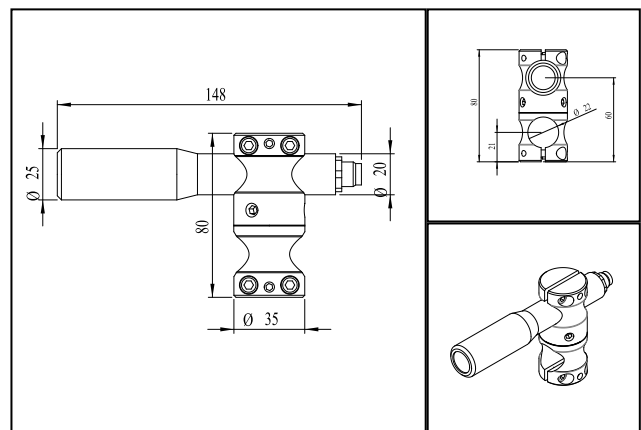


- Stainless steel for industrial applications
- Protection Class (IP64)
- Adjustable focus
- M12 industrial connector
- Protection lens

Picture



Drawing



Safety Label



Valid Revision

| 24-AUG-2023