

Doe laser, blue, 405nm, 5mW

DD405-5-3(16x65)-DOE

Order Number: 70115253

| Main Parameters (*) | min | typ | max | Unit |
|-----------------------|-----|-----|-----|------|
| Wavelength | | 405 | | nm |
| Optical Output Power | | 5 | | mW |
| Operating Voltage | 2.7 | 3 | 3.3 | V DC |
| Operating Current | 60 | 120 | 180 | mA |
| Operating Temperature | -20 | | 50 | °C |
| Storage Temperature | -40 | | 80 | °C |

Technical Parameters

| | |
|----------|---------|
| Lifetime | >10000h |
| RoHS | yes |

Optical Parameters

| | |
|--------------------|----------------------|
| Beam Shape | DOE |
| Laser Class | 3R |
| Divergence | D - 0.5mrad |
| Operating Distance | 50m |
| Optics | glass lens AR coated |
| Laser technology | diode |
| Focus | adjustable |

Electrical Parameters

| | |
|----------------------|----------|
| Potential of Housing | isolated |
| Power Supply | LFNT-3 |

Mechanical Parameters

| | |
|-----------------|----------------------------|
| Size | Ø16x65mm |
| Material | aluminium |
| Cable length | 100mm |
| Wire type | 26AWG, 0,14mm ² |
| Output Aperture | 5mm |
| Weight | 24.3g |

(*) Over the complete operating temperature range

Features





- Adjustable focus
- DOE optic can be changed
- Compact size
- Glas lenses anti reflex coated
- Operating Voltage 3V DC

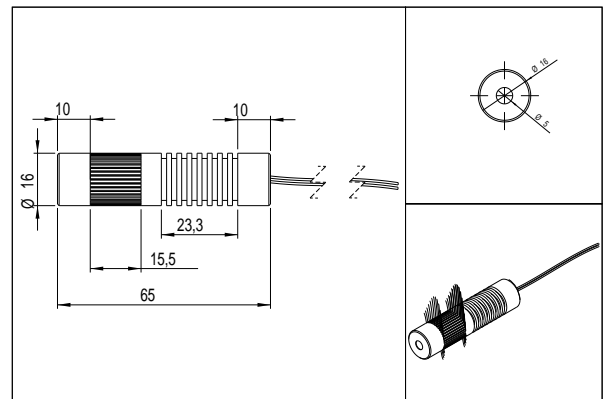
Picture



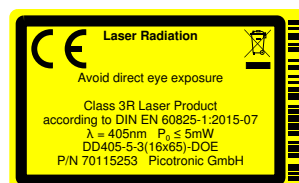
Cable Colors

| | | | |
|----------|---|-------|----------------------|
| Ground |  | black | GND |
| Positive |  | red | 2.7 - 3.3, typ 3V DC |

Drawing



Safety Label



Revision

REV 1 | 09-JUN-2016