

Doe laser, blue, 405nm, 1mW

DD405-1-3(16x65)-DOE

Order Number: 70115284

Main Parameters (*)	min	typ	max	Unit
Wavelength		405		nm
Optical Output Power		1		mW
Operating Voltage	2.7	3	3.3	V DC
Operating Current	45	90	135	mA
Operating Temperature	-20		50	°C
Storage Temperature	-40		80	°C

Technical Parameters

Lifetime	>10000h
RoHS	yes

Optical Parameters

Beam Shape	DOE
Laser Class	2
Divergence	D - 0.5mrad
Operating Distance	20m
Optics	glass lens AR coated
Laser technology	Single Mode Diode
Focus	adjustable

Electrical Parameters

Potential of Housing	isolated
Power Supply	LFNT-3

Mechanical Parameters

Size	Ø16x65mm
Material	aluminium
Cable length	100mm
Wire type	26AWG, 0,14mm ²
Output Aperture	5mm
Housing Color	black
Weight	24.3g
Stripping of wire	5mm

(*) Over the complete operating temperature range

Features





- Adjustable focus
- DOE optic can be changed
- Compact size
- Glas lenses anti reflex coated
- Operating Voltage 3V DC

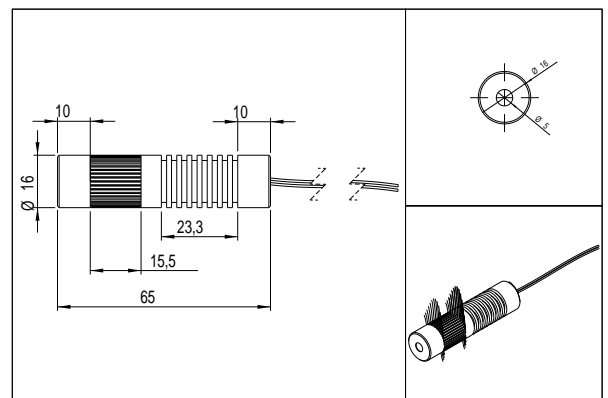
Picture



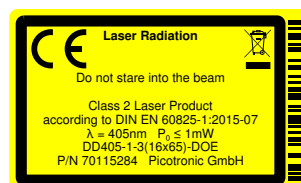
Cable Colors

Ground		black	GND
Positive		red	2.7 - 3.3, typ 3V DC

Drawing



Safety Label



Revision

REV 1 | 22-SEP-2017