

Dot laser, blue, 405nm, 1mW

DD405-1-3(14x45)

Order Number: 70115505

Main Parameters (*)	min	typ	max	Unit
Wavelength		405		nm
Optical Output Power		1		mW
Operating Voltage	2.7	3	3.3	V DC
Operating Current	30	60	90	mA
Operating Temperature	0		50	°C
Storage Temperature	-40		80	°C

Technical Parameters

Lifetime	>5000h
RoHS	yes

Optical Parameters

Beam Shape	Dot
Laser Class	2
Divergence	D - 0.5mrad
Size of Laserdot	adjustable
Operating Distance	10m
Optics	glass lens AR coated
Laser technology	diode
Focus	adjustable

Electrical Parameters

Potential of Housing	isolated
Power Supply	LFNT-3

Mechanical Parameters

Size	Ø14x45mm
Material	aluminium
Cable length	100mm
Wire type	26AWG, 0,14mm ²
Output Aperture	5mm
Weight	16g

(*) Over the complete operating temperature range

Features





- Blue Lasermodule
- Operating Voltage 3V DC
- Glas lenses anti reflex coated
- Laser Class 2
- Adjustable focus

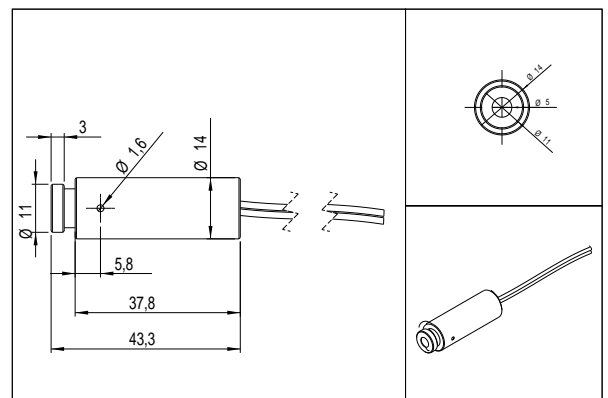
Picture



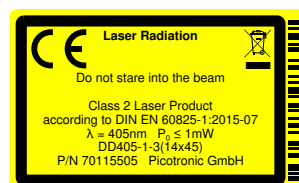
Cable Colors

Ground		black	GND
Positive		red	2.7 - 3.3, typ 3V DC

Drawing



Safety Label



Revision

REV 4 | 28-NOV-2018