

Dot laser, blue, 405nm, 1mW

DD405-1-3(14x45)-CON-NT
Order Number: 70123388

Main Parameters (*)	min	typ	max	Unit
Wavelength		405		nm
Optical Output Power		1		mW
Operating Voltage	2.7	3	3.3	V DC
Operating Current	30	60	90	mA
Operating Temperature	0		50	°C
Storage Temperature	-40		80	°C

Technical Parameters

Lifetime	>5000h
RoHS	yes

Optical Parameters

Beam Shape	Dot
Laser Class	2
Divergence	D - 0.5mrad
Size of Laserdot	adjustable
Operating Distance	10m
Optics	glass lens AR coated
Laser technology	diode
Focus	adjustable

Electrical Parameters

Potential of Housing	isolated
Connector	2.5 mm DC socket (GND pole inner)
Power Supply	LFNT-3-C

Mechanical Parameters

Size	Ø14x45mm
Material	aluminium
Cable length	100mm
Wire type	26AWG, 0,14mm ²
Output Aperture	5mm
Weight	16g

(*) Over the complete operating temperature range

Features



- Blue Lasermodule
- Operating Voltage 3V DC
- Glas lenses anti reflex coated
- Laser Class 2
- Adjustable focus

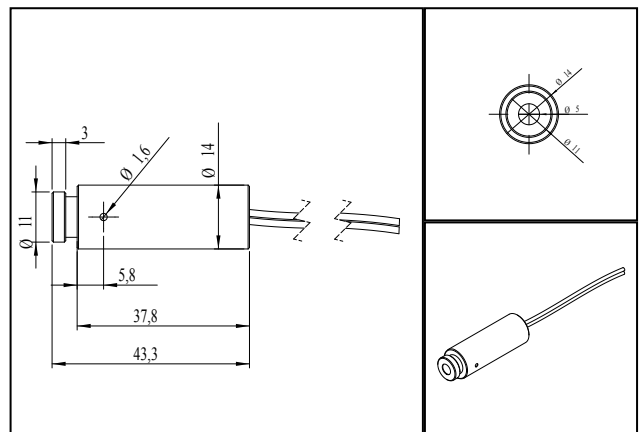
Picture



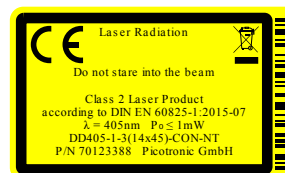
Cable Colors

Ground		black	GND
Positive		red	2.7 - 3.3, typ 3V DC

Drawing



Safety Label



Revision

| 29-JUN-2018