

## Doe laser, blue, 405 nm, 1 mW

DD405-1-3(16x65)-DOE  
Order Number: 70115284

Main Parameters (*)	min	typ	max	Unit
Wavelength		405		nm
Optical Output Power		1		mW
Operating Voltage	2.7	3	3.3	V DC
Operating Current	45	90	135	mA
Operating Temperature	-20		50	°C
Storage Temperature	-40		80	°C

### Main Data

Warranty 1 years

### Technical Parameters

Lifetime > 10,000 h  
RoHS yes

### Optical Parameters

Beam Shape DOE  
Laser Class 2  
Divergence D - 0.5 mrad  
Operating Distance 20 m  
Optics glass lens AR coated  
Laser technology Single Mode Diode  
Focus adjustable

### Electrical Parameters

Potential of Housing isolated  
Power Supply Power Supply with stripped/tinned wires, Output: 3.3V DC, Input: 100-240V AC, 50-60Hz, Output Power: 3.3W max.

### Mechanical Parameters

Size Ø16x65 mm  
Material aluminium  
Cable length 100 mm  
Wire type 26AWG, 0,14mm<sup>2</sup>  
Output Aperture 5 mm  
Housing Color black  
Weight 24.3 g  
Stripping of wire 5 mm

(\*) Over the complete operating temperature range

### Features



- Adjustable focus
- DOE optic can be changed
- Compact size
- Glas lenses anti reflex coated
- Operating Voltage 3V DC

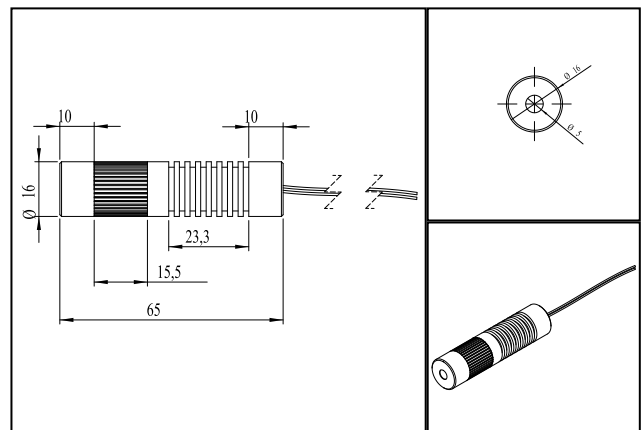
### Picture



### Cable color

Ground  black GND  
Positive  red 2.7 - 3.3, typ 3 V DC

### Drawing



### Safety Label



### Valid Revision

1 | 23-JUL-2020