

## Dot laser, red, 650 nm, 1 mW

DC650-1-3(8x25)-F5000  
Order Number: 70149623

Main Parameters (*)	min	typ	max	Unit
Wavelength		650		nm
Optical Output Power		1		mW
Operating Voltage	2.7	3	3.3	V DC
Operating Current	8	19	30	mA
Operating Temperature	-20		50	°C
Storage Temperature	-40		80	°C

### Main Data

Warranty 1 years

### Technical Parameters

Lifetime > 5,000 h  
RoHS yes

### Optical Parameters

Beam Shape Dot  
Laser Class 2  
Divergence C - 0.4 mrad  
Size of Laserdot <3..5mm@5m  
Operating Distance 10 m  
Optics glass lens AR coated  
Laser technology Single Mode Diode  
Focus collimated

### Electrical Parameters

Potential of Housing isolated  
Power Supply Power Supply with stripped/tinned wires, Output: 3.3V DC, Input: 100-240V AC, 50-60Hz, Output Power: 3.3W max.

### Mechanical Parameters

Size Ø8x25 mm  
Material aluminium  
Cable length 100 mm  
Wire type 26AWG, 0,14mm<sup>2</sup>  
Output Aperture 3.5 mm  
Housing Color black  
Weight 3.5 g  
Stripping of wire 5 mm

(\*) Over the complete operating temperature range

## Features



- Operating Voltage 3V DC
- Laser Class 2
- Low power consumption
- Compact size
- Fixed focus

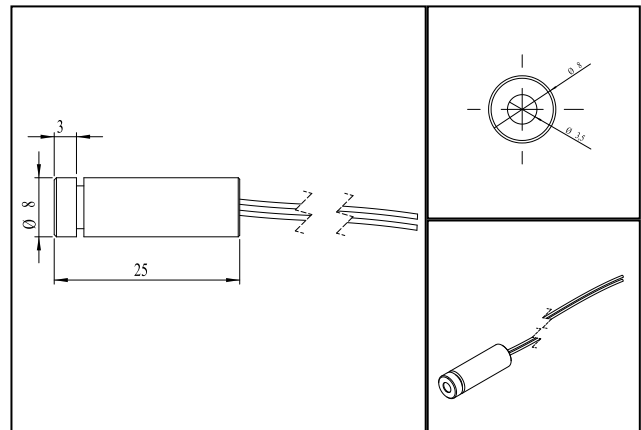
## Picture



## Cable color

Ground  blue GND  
Positive  red 2.7 - 3.3, typ 3 V DC

## Drawing



## Safety Label



## Valid Revision

| 03-MAR-2021